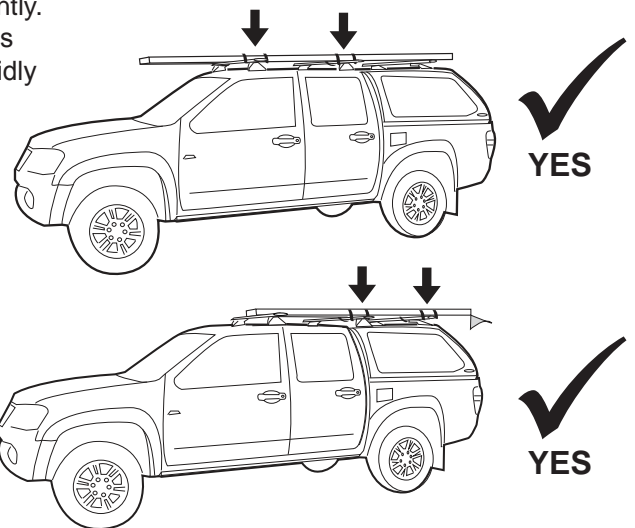
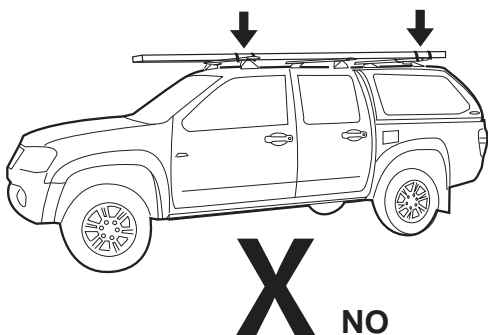


### WARNING! Important Load Carrying Instructions

With utility vehicles, the cabin and the canopy move independently. Roof racks and vehicle can be damaged if the item transported is rigidly fixed at points on both the cabin and canopy. Instead, rigidly fix to either the cabin roof racks or the canopy roof racks.

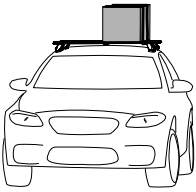



- Please refer to your vehicle manufacturers handbook for maximum roof load capacity.
- Any load transported on Roof Racks must be evenly distributed.
- Instructions are to remain with the vehicle.
- Do not attempt to fit the roof racks to your vehicle unless you fully read and understand the fitting instructions provided.
- Please direct any questions to the dealer from where the roof racks were purchased.
- Check the contents of this kit before commencing fitment and report any discrepancies.



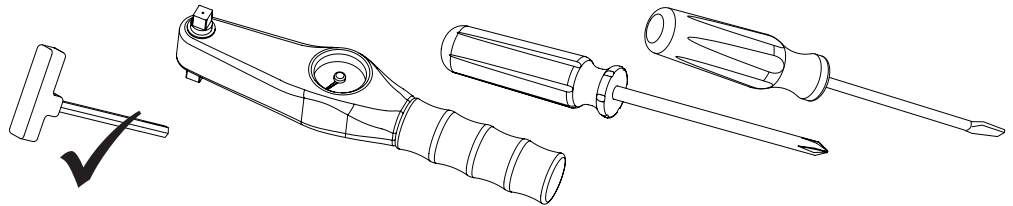
# RHINO-RACK

## RSP24 / RSP24F / RSP24R Rhino Sportz Crossbars Volkswagen Amarok

	<b>Two Crossbars (Urban Road)</b> <b>Maximum Load Capacity</b> <b>100kg/220lbs</b>	=	<b>Two Crossbars (Off-Road)</b> <b>Maximum Load Capacity</b> <b>66kg/145lbs</b>	
	<b>One Crossbar (Urban Road)</b> <b>Maximum Load Capacity</b> <b>40kg/88lbs</b>	=	<b>One Crossbar (Off-Road)</b> <b>Maximum Load Capacity</b> <b>26kg/57lbs</b>	

### Tools required:

- Allen key, included.
- Torque wrench.
- Phillips head screwdriver.
- Flat head screwdriver.



**Refer to vehicle manufacturers handbook for maximum roof loading. Always use lower of the two figures.**

### Recommendations:

It is essential that all bolt connections be checked after driving a short distance when you first install your crossbars. Bolt connections should be checked again at regular intervals (probably once a week is enough, depending on road conditions, usage, loads and distances travelled). You should also check the crossbars each time they are refitted. Make sure to fasten your load securely. Please ensure that all loads are evenly distributed and that the centre of gravity is kept as low as possible.

**Crossbars must be removed when putting vehicle through an automatic car wash.**

**Carrying Loads:** Use only non-stretch fastening ropes or straps to secure your load.

**Caution:** The handling characteristics of the vehicle change when you transport a load on the roof. For safety reasons we recommend you exercise extreme care when transporting wind-resistant loads. Special consideration must be taken into account when cornering and braking.

### Load Ratings:

Maximum permissible load is 100kg (220lbs) for two crossbars including the weight of the crossbars, 5kg (11lbs). When crossbars are to be used in off-road conditions, please build a safety factor of 1.5 into this load limit for off-road use, two crossbars = **66kg 145lbs**). Although the crossbars are tested and approved to AS1235-2000, off-road conditions can be much more rigorous. However, increasing the number of crossbars does not increase the vehicles maximum permissible roof loading.

### Note for Dealers and Fitters:

It is your responsibility to ensure instructions are given to the end user or client.

Rhino-Rack  
3 Pike Street, Rydalmere,  
NSW 2116, Australia.  
(Ph) (02) 9638 4744  
(Fax) (02) 9638 4822

Document No: R105  
Prepared By: Craig Jones  
Authorised By: Chris Murty

Issue No: 02  
Issue Date: 20/09/2012

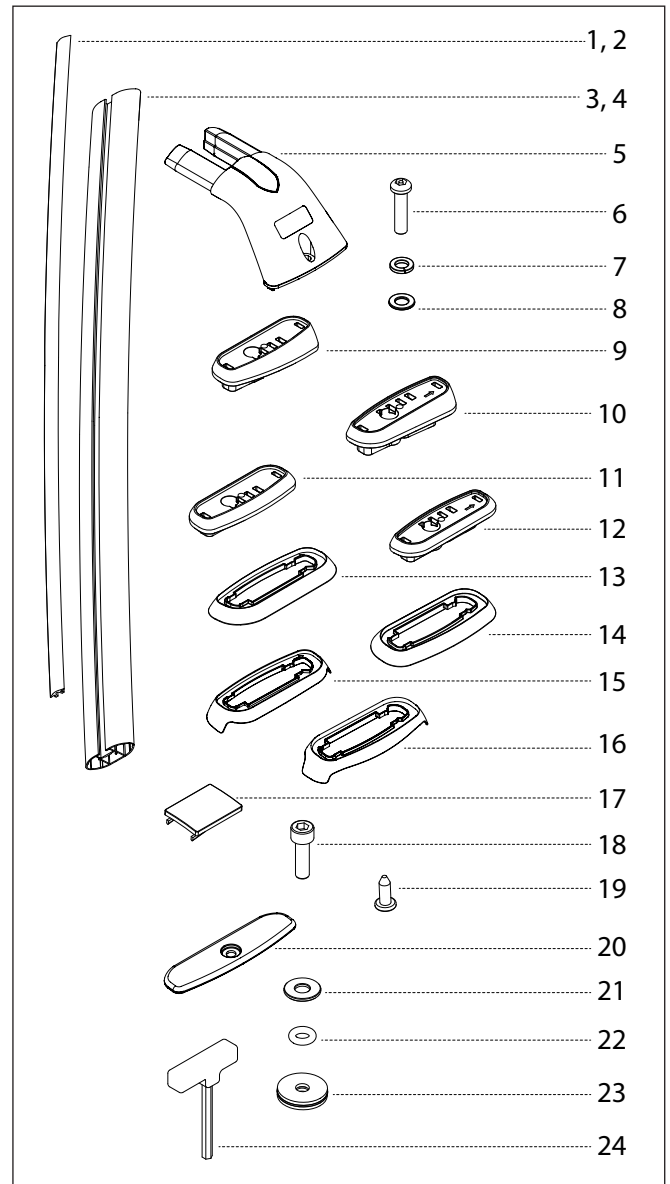
These instructions remain the property of Rhino-Rack Australia Pty. Ltd. and may not be used or changed for any other purpose than intended.



# RSP24 / RSP24F / RSP24R

## PARTS LIST

Item	Component	Qty. 2 Bars	Qty. 1 Bar Front	Qty. 1 Bar Rear	Part No.
1	Rubber strip Front 995mm	1	1	0	R011
2	Rubber strip Rear 985mm	1	0	1	R011
3	Crossbar Front 995mm	1	1	0	A155
4	Crossbar Front 985mm	1	0	1	A155
5	Leg	4	2	2	M094
6	M6 x 25mm security screw	4	2	2	B137
7	M6 spring washer	8	4	4	W004
8	M6 flat washer	4	2	2	W003
9	Front Right pad FR	1	1	0	M546
10	Front Left pad FL	1	1	0	M547
11	Rear Right pad RR	1	0	1	M548
12	Rear Left pad RL	1	0	1	M549
13	Rubber skirt Left (short)	2	1	1	M550
14	Rubber skirt Right (short)	2	1	1	M551
15	Rubber skirt Left (long)	2	1	1	M552
16	Rubber skirt Right (long)	2	1	1	M553
17	Trim cover	4	2	2	M560
18	M6 x 30mm socket head cap screw	4	2	2	B047
19	10G x 1/2" phillips screw	4	2	2	B045
20	Pad cover plate	4	2	2	M126
21	M6 x 16mm flat washer	4	2	2	W031
22	3mm x 6mm O-ring	4	2	2	C347
23	Copper/foam washer	4	2	2	C967
24	5mm security allen key	1	1	1	SecKey-S
25	Fitting instruction	1	1	1	R105



### Select Amarok model, with or without roof trim.

Volkswagen Amarok  
*with* roof trim.

Steps;  
1-6, 8-12, 14.



Volkswagen Amarok  
*without* roof trim.

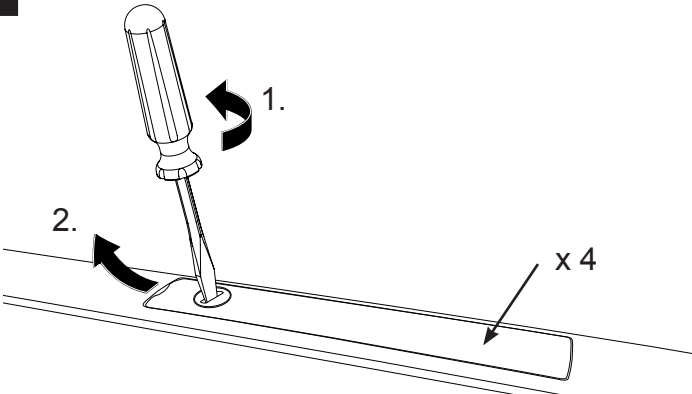
Steps;  
2-5, 7, 8, 10-11, 13-14.





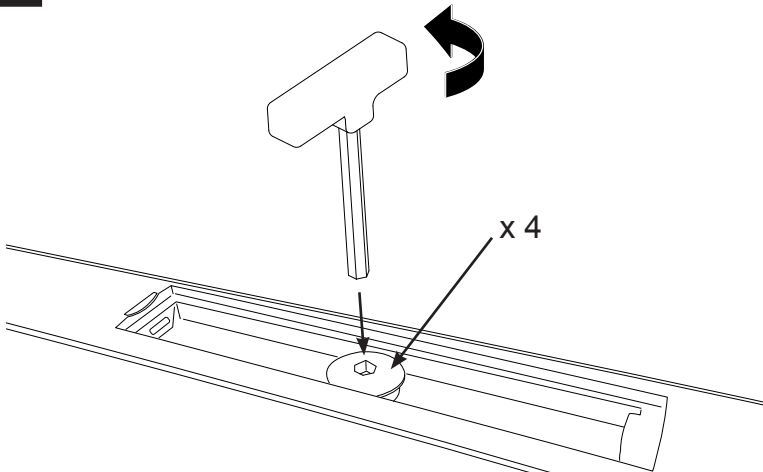
# RSP24 / RSP24F / RSP24R

**1**



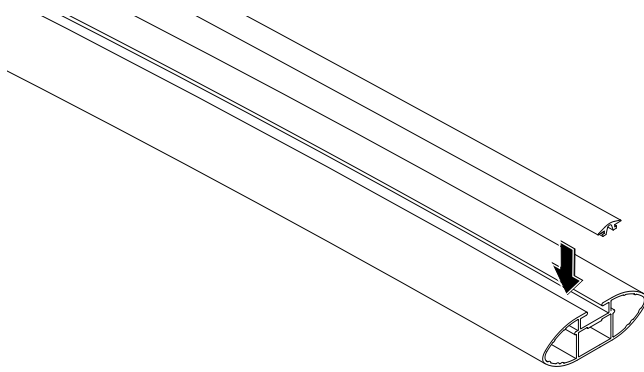
**Remove roof covers.**  
Unscrew half a turn anti-clockwise, remove cover.

**2**



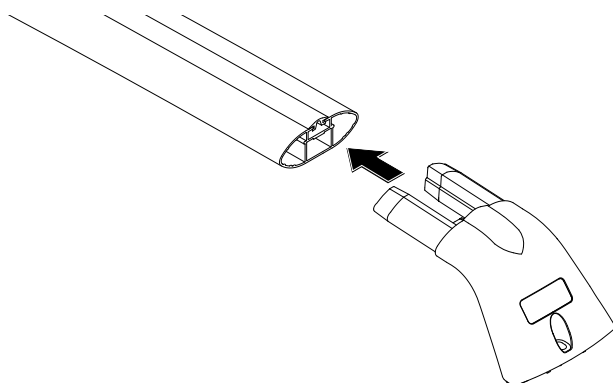
**Remove roof screws.**  
Use supplied allen key.

**3**



**Insert crossbar rubber.**  
Front = 995mm  
Rear = 985mm

**4**

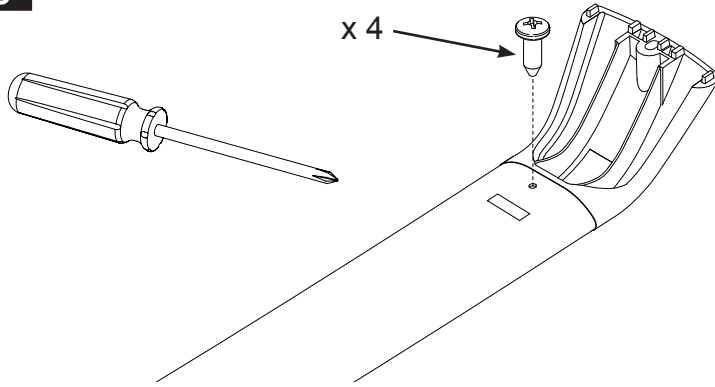


**Attach legs to crossbars.**  
Insert a leg into each end of the crossbars.



# RSP24 / RSP24F / RSP24R

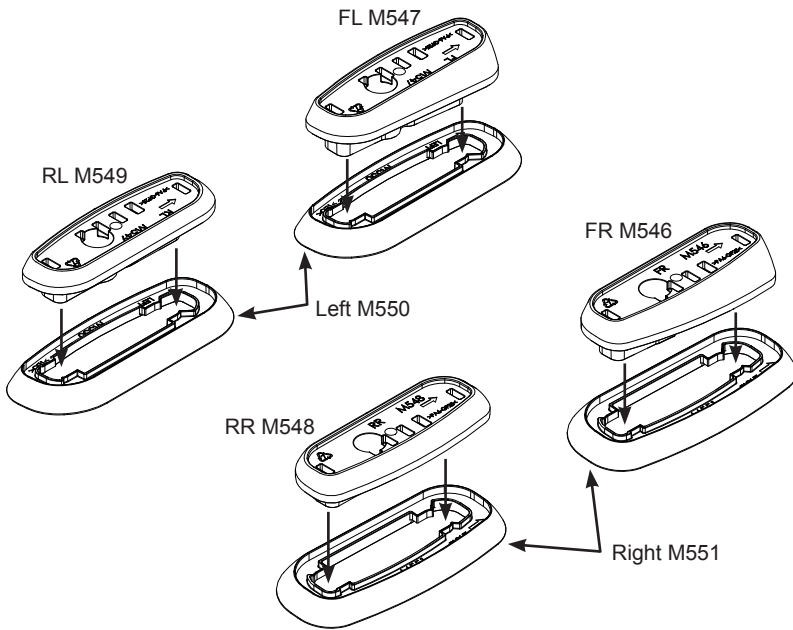
5



### Fasten legs:

From underside of crossbar insert phillips head screw to secure the leg.

6



### Attach short rubber skirt:

Front Left..... FL M547

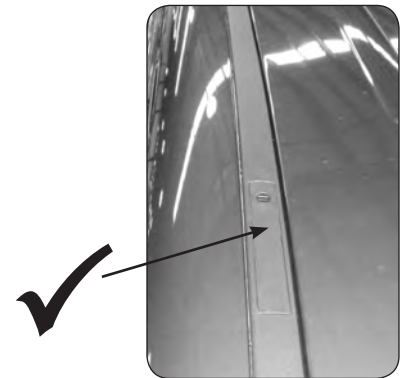
Rear Left..... RL M549

Front Right..... FR M546

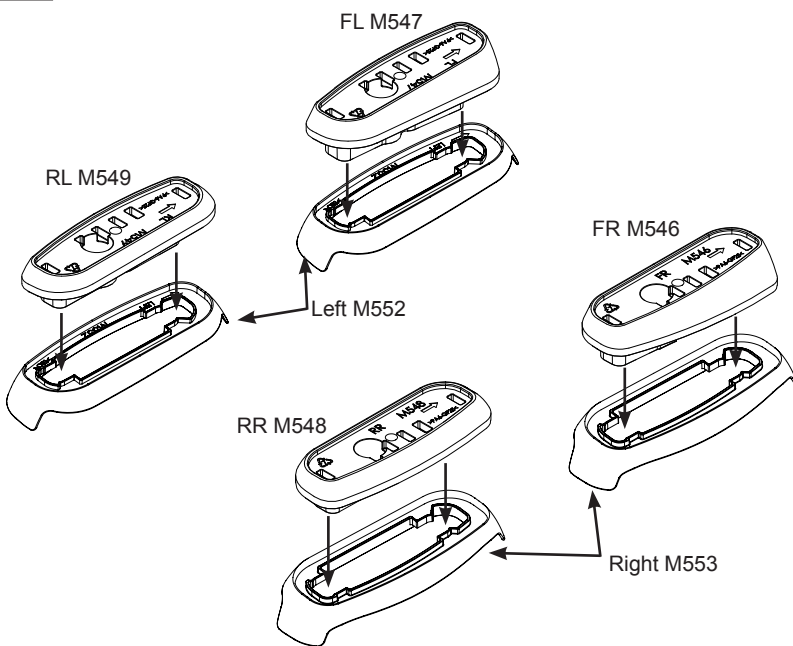
Rear Right ..... RR M548

Left skirt..... Left M550

Right skirt..... Right M551



7



### Attach long rubber skirt:

Front Left..... FL M547

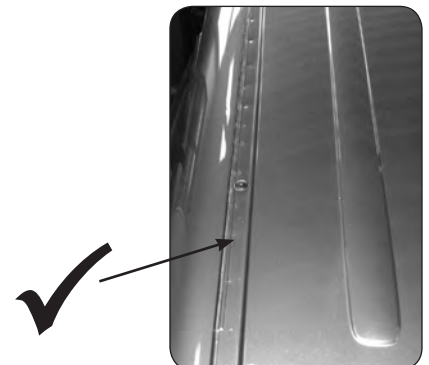
Rear Left..... RL M549

Front Right..... FR M546

Rear Right ..... RR M548

Left skirt.....Left M552

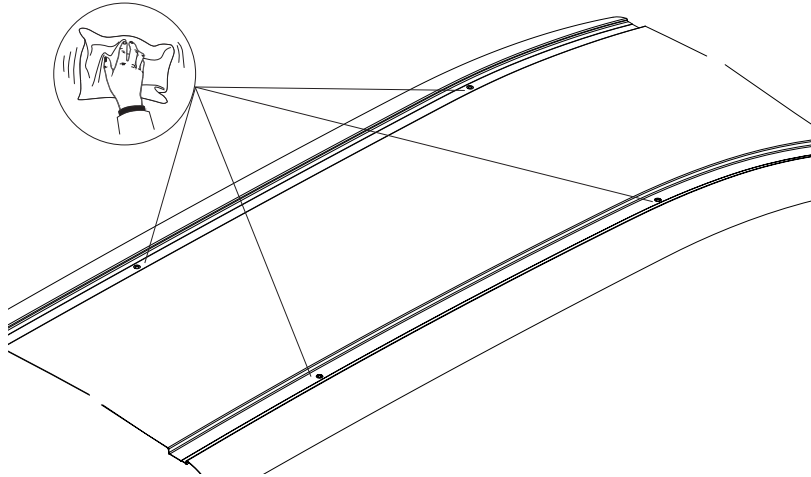
Right skirt.....Right M553





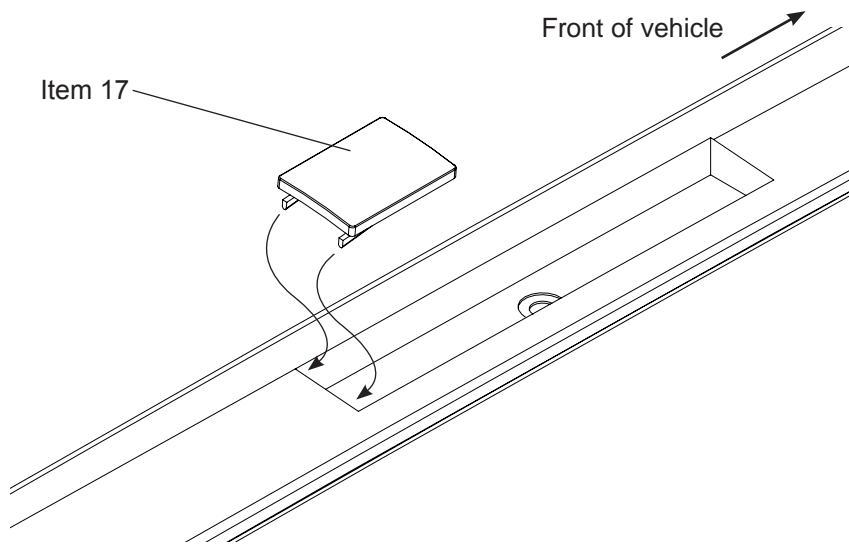
# RSP24 / RSP24F / RSP24R

8



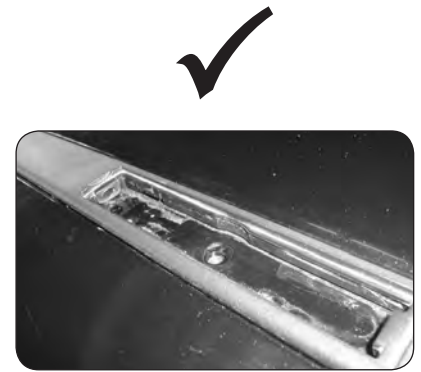
Clean roof rack mounting surface.

9

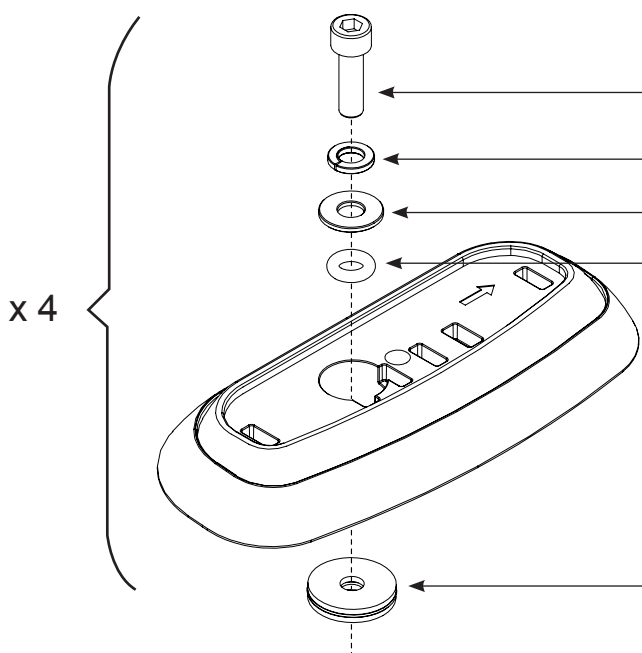


**Attach trim cover.**

Fit trim covers, 4 places. Only for vehicles with roof trim.



10



**Attach pad mounting hardware:**

M6 x 30mm SHCS

M6 spring washer

M6 x 16mm flat washer (*item 21*)

3mm x 6mm O-ring

Copper/foam washer

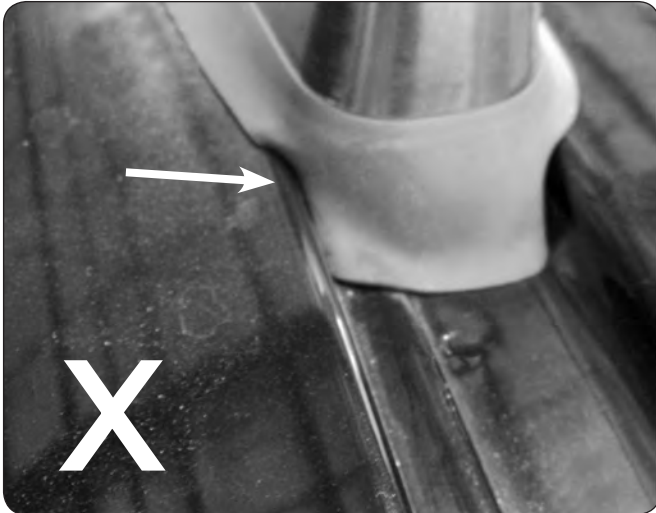
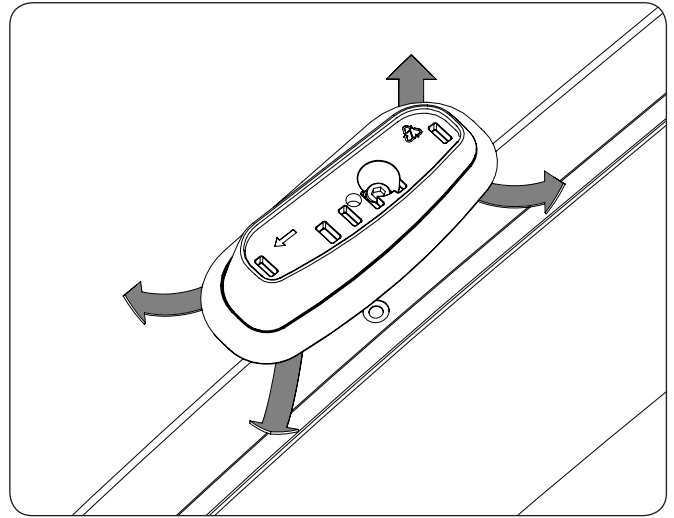
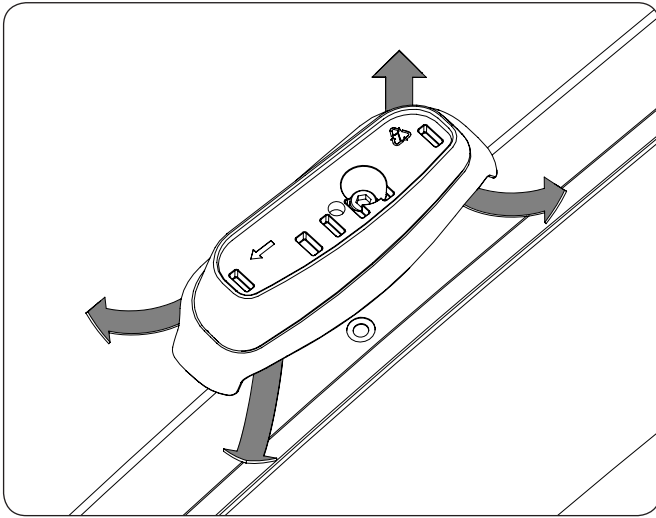


11

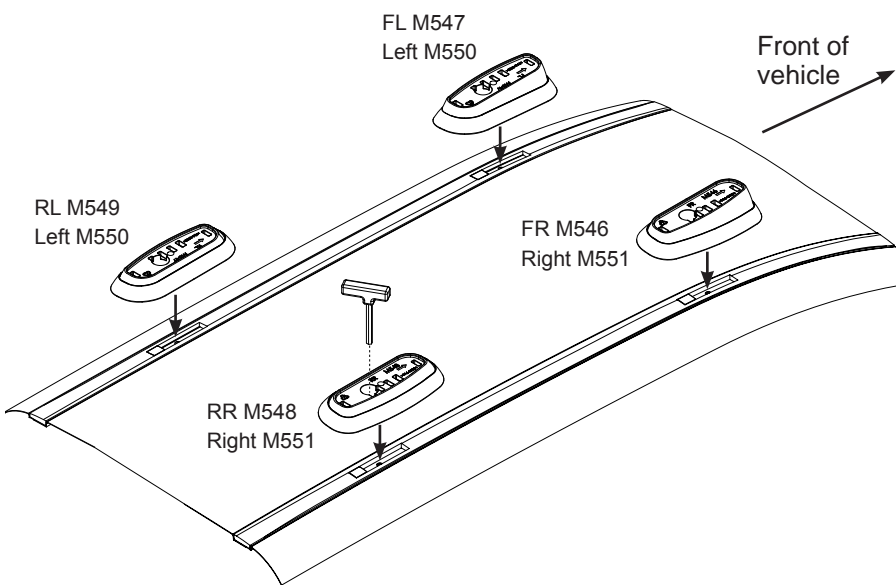


**Rubber skirt.**

Support rubber skirt when fitting to prevent it from folding under.



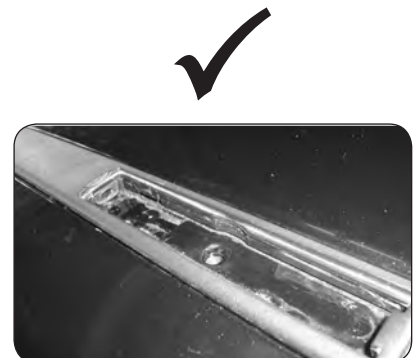
12



**Fit pads to roof.**

Fasten pads to roof.

Tighten M6 x 30mm screws, 5-6 Nm.





# RSP24 / RSP24F / RSP24R

**13**

FL M547  
Left M552

RL M549  
Left M552

FR M546  
Right M553

RR M548  
Right M553

Front of vehicle

**Fit pads to roof.**  
Fasten pads to roof.  
Tighten M6 x 30mm screws, 5-6 Nm.

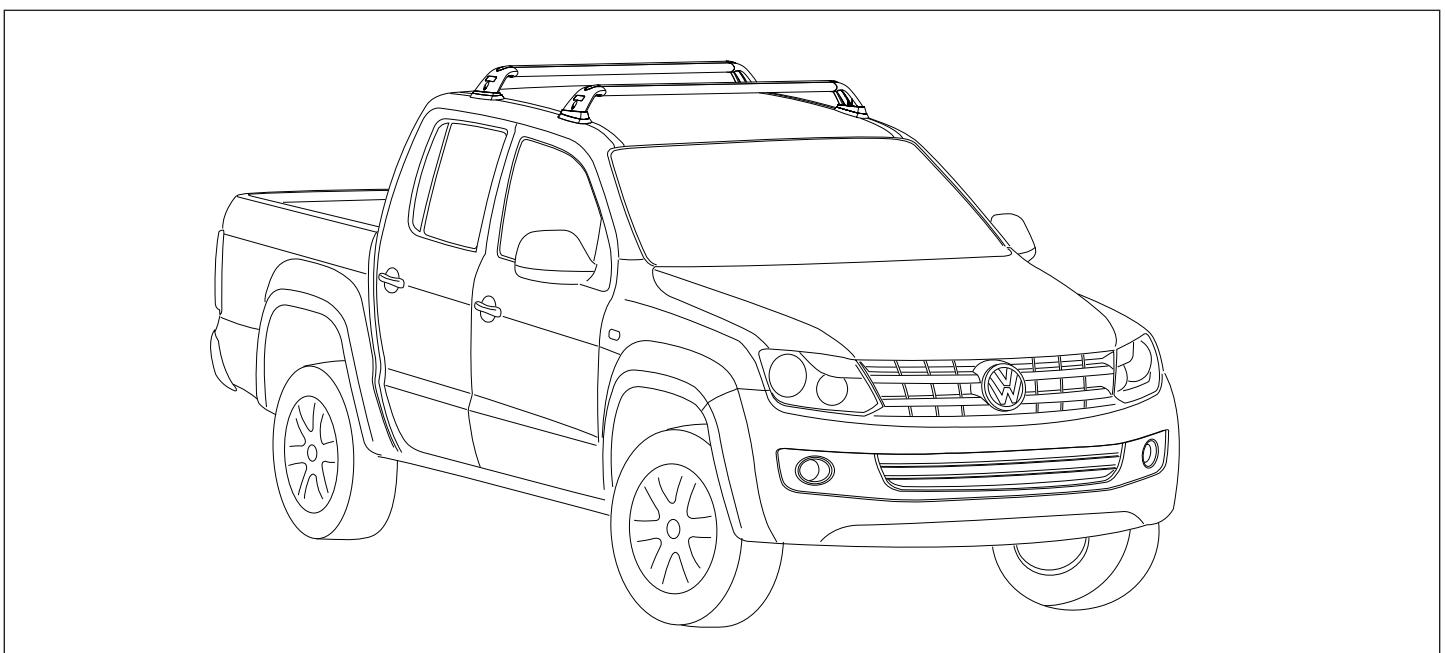
✓

**14**

Front of vehicle

**Attach crossbars.**  
Fasten front & rear crossbars in correct location as shown by stickers on underside of the bar.  
Tighten screws 3-4 Nm.

- 5mm Allen key
- M6 x 25mm screw
- M6 spring washer
- M6 x 12mm flat washer







## RSP24 / RSP24F / RSP24R

**When crossbars are removed.**

Attach cover plates (*item 20*) when crossbars are removed. Fasten screws 3-4 Nm.

