

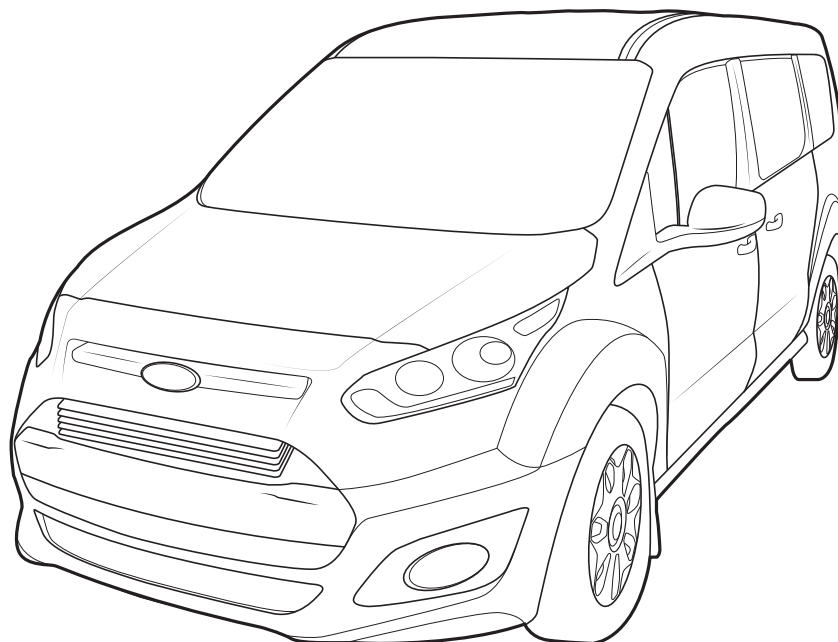


CONTROLLED

RHINO-RACK

Ford Transit LWB/SWB Connect Track Mount RTS535, RTS546

Important: Please read these instructions carefully prior to and during installation.
Check the contents of kit before commencing fitment and report any discrepancies.



Clean roof prior to installation.

Important Information

Maximum carrying capacity: Up to 100kg/220lbs Evenly distributed over the crossbars.

It is essential that all bolt connections be checked after driving a short distance when you first install your crossbars. Bolt connections should be checked again at regular intervals (probably once a week is enough, depending on road conditions, usage, loads and distances travelled). You should also check the crossbars each time they are re-fitted.

Make sure to fasten your load securely. Ensure all loads are evenly distributed and centre of gravity is kept as low as possible.

Use only non-stretch fastening ropes or straps.

Caution: The handling characteristics of the vehicle changes when you transport a load on the roof. For safety reasons we recommend you exercise extreme care when transporting wind-resistant loads. Special consideration must be taken into account when cornering and braking.

Please remove crossbars when putting vehicle through an automatic car wash.

Load ratings:

Maximum permissible load for system is up to 100kg/220lbs per pair of crossbars. When crossbars are to be used in off-road conditions, please build a safety factor of 1.5 into this load limit. Increasing the number of crossbars does not increase the vehicles maximum permissible roof loading.

Note for Dealers and Fitters:

It is your responsibility to ensure instructions are given to the end user or client.

Rhino-Rack
3 Pike Street, Rydalmere,
NSW 2116, Australia.
(Ph) (02) 9638 4744
(Fax) (02) 9638 4822

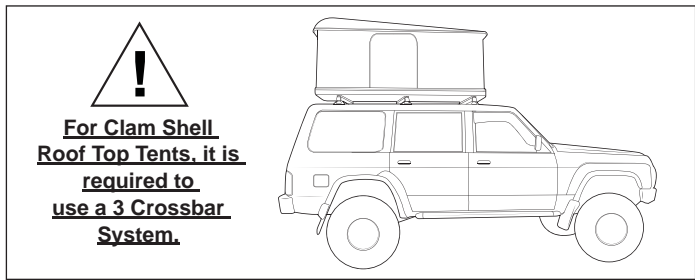
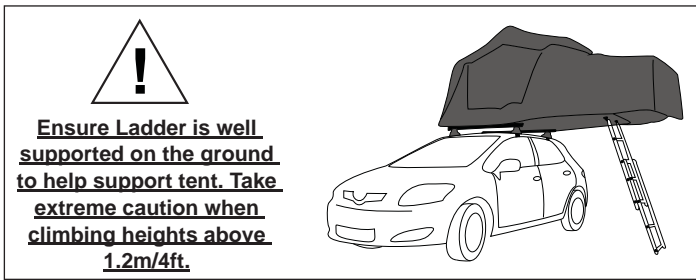
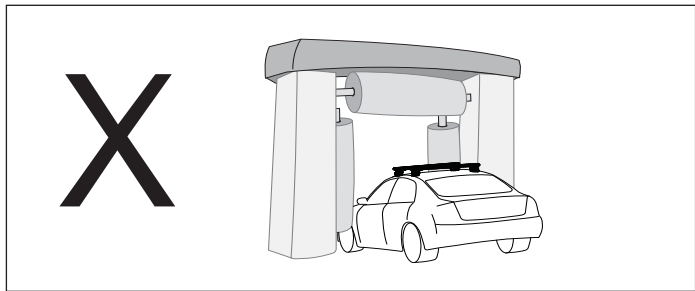
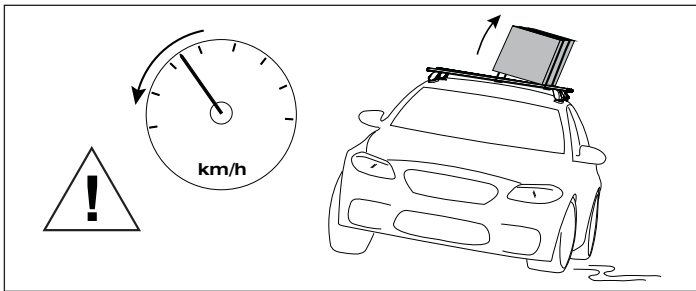
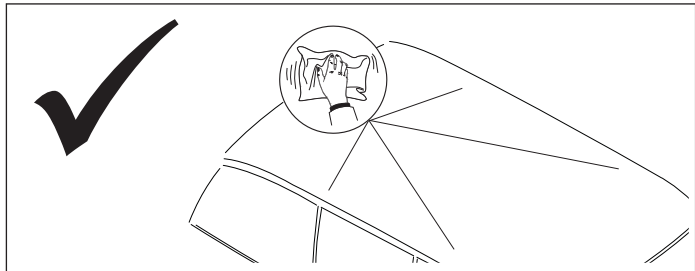
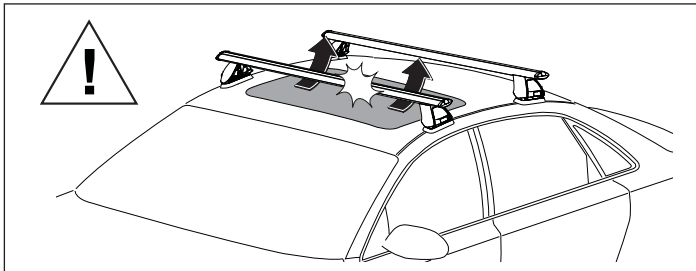
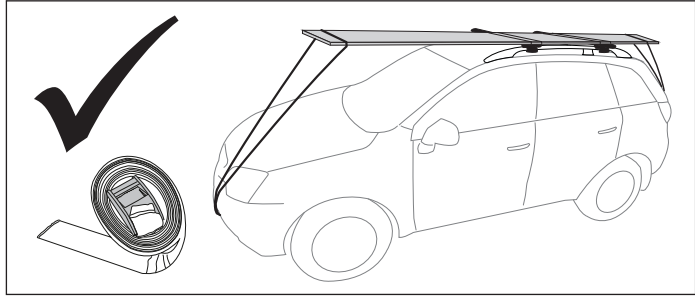
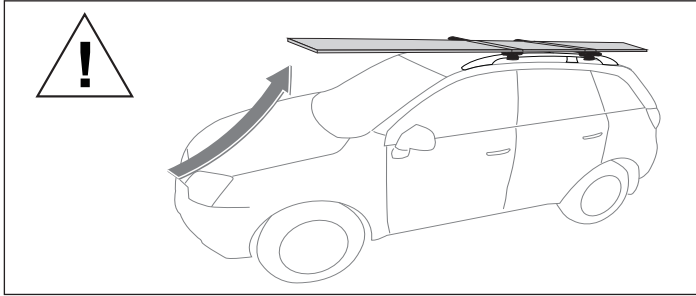
Document No: R583
Prepared By: Kayle Everett
Authorised By: Chris Murty

Fit Time: 45min
Issue No: 09
Issue Date: 13/03/2018

These instructions remain the property of Rhino-Rack Australia Pty. Ltd. and may not be used or changed for any other purpose than intended.



Ford Transit LWB/SWB Connect Track Mount RTS535, RTS546



When these roof racks are to be used on a vehicle that is driven off sealed roads, the manufacturer maximum roof load rating (to be found in the vehicles User Manual) should be **divided by 1.5**. Do not forget to subtract the complete crossbar system weight from your maximum carrying capacity.

100kg/220lbs load rating (Urban road)	=	67kg/148lbs load rating (Off road - 100kg / 1.5)
--	----------	---

WARNING! Important Load Carrying Instructions

With utility vehicles, the cabin and the canopy move independently. Roof racks and vehicle can be damaged if the item transported is rigidly fixed at points on both the cabin and canopy. Instead, rigidly fix to either the cabin roof racks or the canopy roof racks.

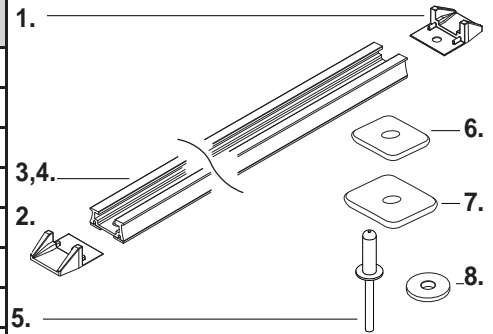
Paddle/ Surfboards should be fixed to the front of the vehicle.



Ford Transit LWB/SWB Connect Track Mount RTS535, RTS546

Parts List

Item	Component Name	RTS535 Qty	RTS546 Qty	Part No.
1	Track End Cap LEFT	2	2	M134
2	Track End Cap RIGHT	2	2	M135
3	LWB Track (RTS535) 2215mm/ 87"	2	-	A703
4	SWB Track (RTS546) 1777mm/ 69.9"	-	2	A791
5	Stavex Rivet BS 11 4.8mm	18	12	H060
6	Butyl Patches	18	12	CA1397
7	Large Butyl Patches 40x25mm	10	8	CA1260
8	Rivet Spacer	1	1	CA1555
8	Instructions	1	1	R583



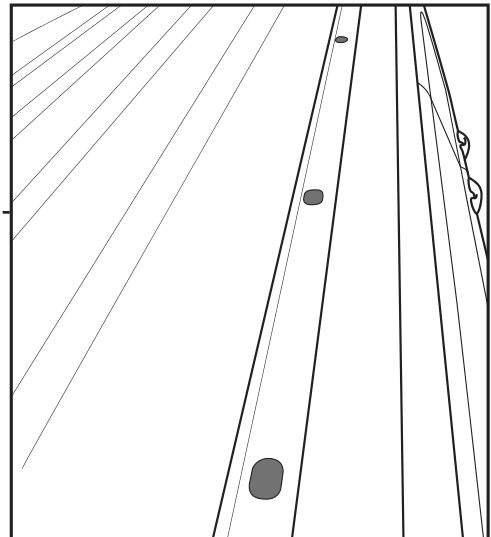
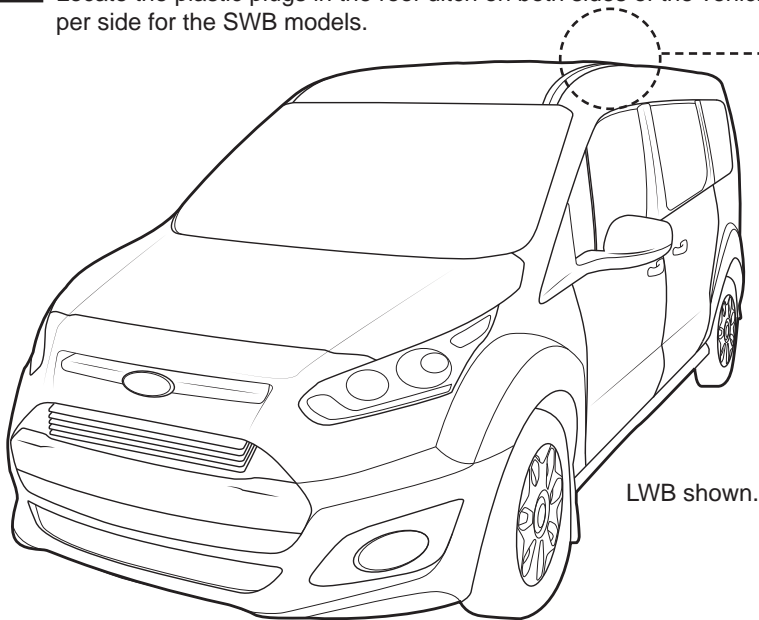
Tools required:

- Nylon Scrape or similar.
- Rivet Gun.
- Marker.
- 3 and 5mm Drill Bit (**cobalt**).
- Power Drill.
- Cold Galvanising Paint.
- Cotton Buds.
- Vacuum.
- Drill Stop.

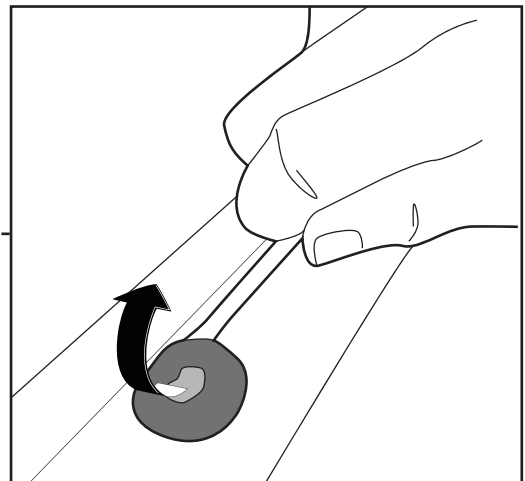
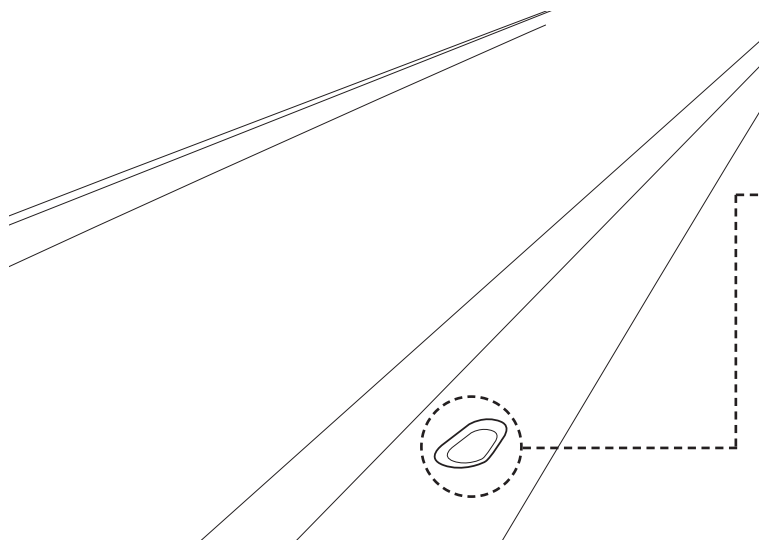
Required parts:
 Crossbars 2 x VA137
 Leg Kit 1 x RLT600

Instructions

- 1** Locate the plastic plugs in the roof ditch on both sides of the vehicle. The are 10 per side for the LWB models and 8 per side for the SWB models.



- 2** Use a Nylon Scrape or similar and remove the plastic plugs.





Ford Transit LWB/SWB Connect Track Mount RTS535, RTS546

3 Place the tracks 50mm/ 2" from the rear door jamb.
Top View:

50mm / 2"
50mm / 2"
High edge toward centre

4 Be sure the tracks are centred in the roof ditch. Follow the contour of the sealant material in the ditch. Do not place the tracks on this material.

Roof Ditch
Track
Sealant Material

5 1: Mark the roof with a pen using the holes in the tracks as a guide. Remove the tracks. 2: Spot drill marked locations with a 3mm (1/8") bit. Drill through the roof at the spot marks with a 5mm bit. Use a drill stop (RDS sold separately) to avoid damaging the internal lining.

At the rear of the SWB and both ends of the LWB models, skip the second holes from the end.

LWB: Top view.
SWB: Top view.

Note: Due to the hardness of the material being drilled, a cobalt drill bit is needed to complete this step.

This end must be at the rear of SWB models.

6 Vacuum any swarf from the roof. Do not blow away as this can cause rust damage. Use cold galvanising paint to seal exposed metal.

Cotton bud or brush with Galvanising Paint. Cover all drilled areas.

Side View:

7 Remove the backing tape from the butyl patches and place over all drilled holes in the roof.

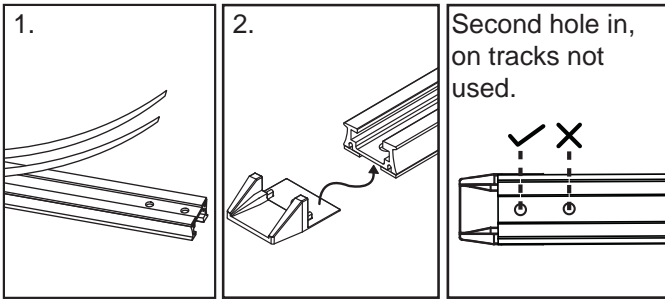
8 Remove the protective tape from the top of each butyl patch.

Larger patches to be used on holes exposed in step 2.

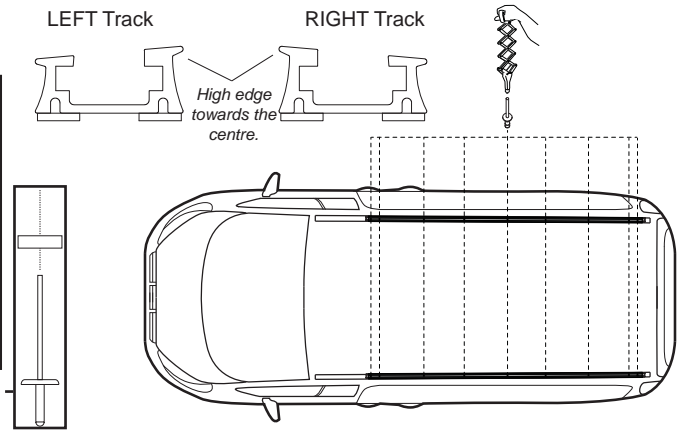


Ford Transit LWB/SWB Connect Track Mount RTS535, RTS546

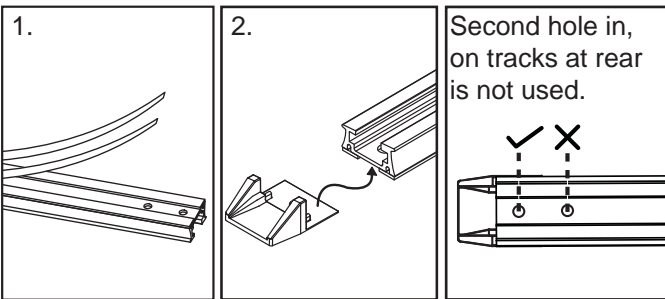
LWB For LWB Models 1: Remove the backing tape from the track mount. 2: Place tracks into roof ditch. 3: Fix tracks with rivets.



Note: Use the rivet spacer for ease of install.



SWB For SWB Models 1: Remove the backing tape from the track mount. 2: Place tracks into roof ditch. 3: Fix tracks with rivets.



Note: Use the rivet spacer for ease of install.

