

R419 Step 2,3,9 - Supplement: Hilux Aeroklas Using ARKT05

2

TOYOTA Hilux 4dr Ute Dual Cab 04/05 On

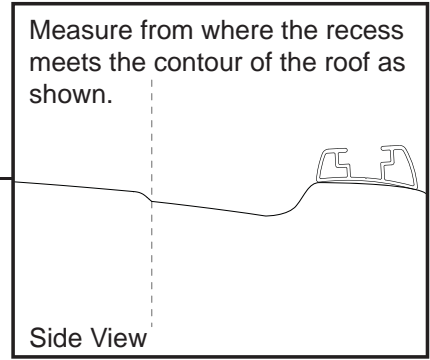
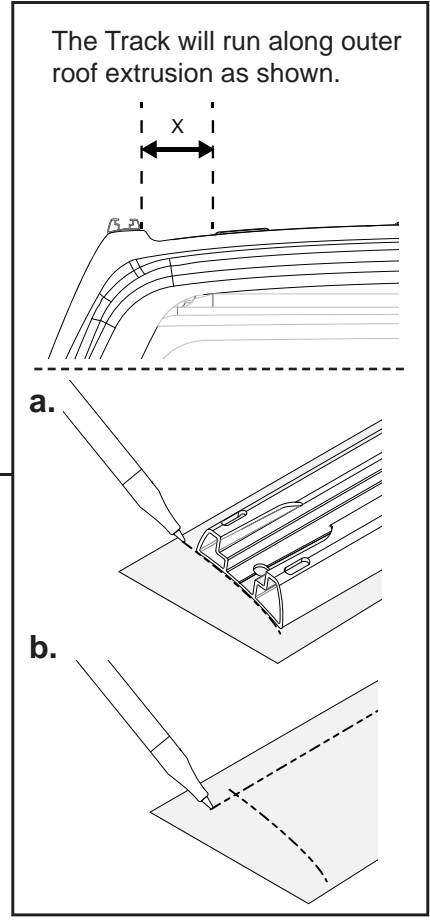
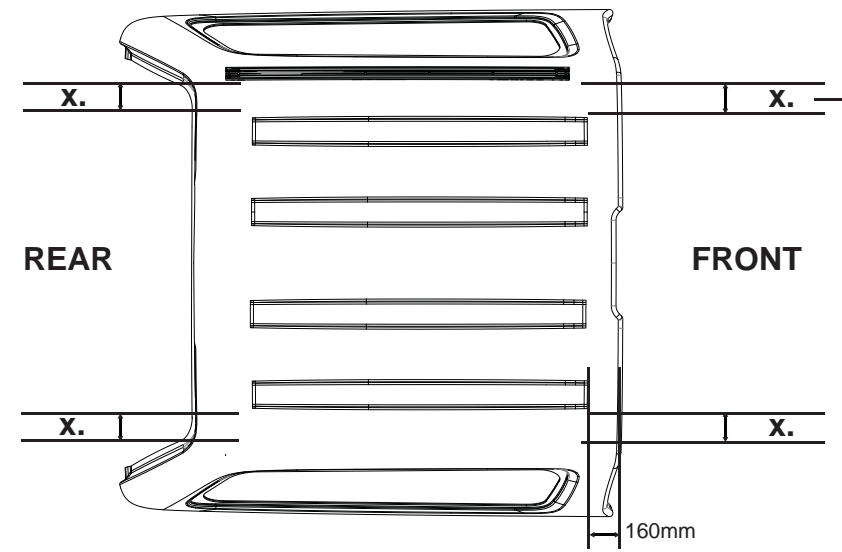
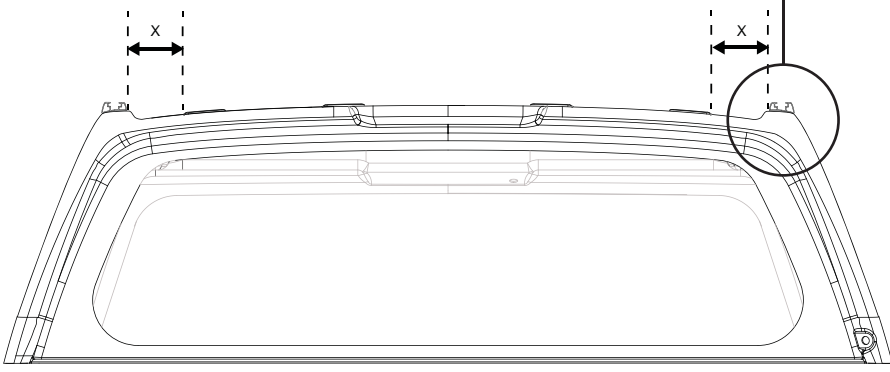
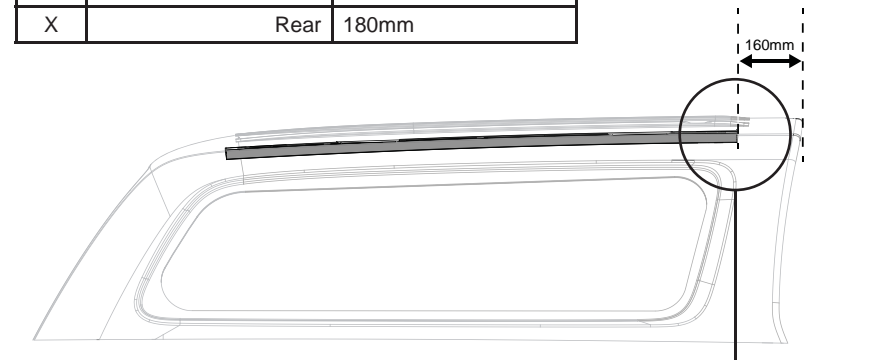
CONTROLLED

Position the track on the canopy roof so that it fits evenly outside the roof ridges. The aluminium track should be spaced 160mm from the front of the canopy, 180mm from the outer most recess at the front, and 180mm from the outer most recess at the rear. Mark a line on the canopy at the end of tracks. Remove tracks and with a straight edge, join lines to use as reference point.

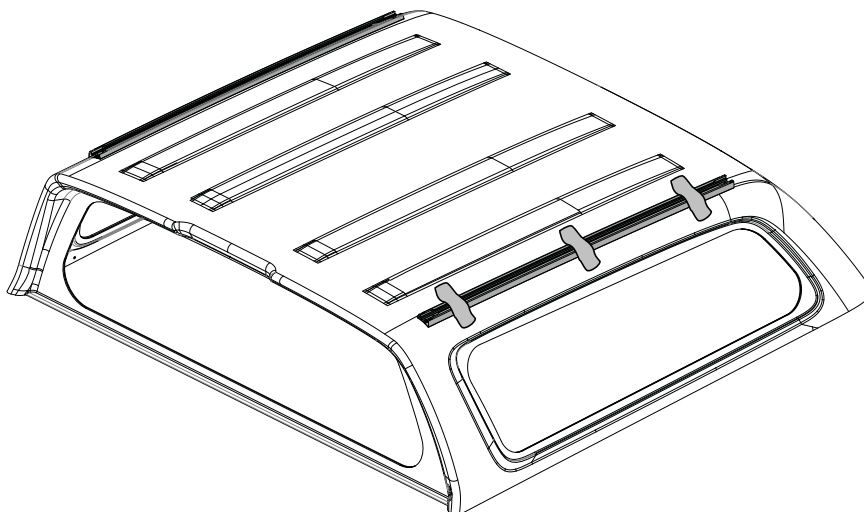
IMPORTANT: Refer to table below for front & rear measurements prior to drilling. **LOAD RATING: 70kg**

Vehicle	Kits Used
Hilux	ARKL01(2) + ARKB03(2) + ARKT05(1)

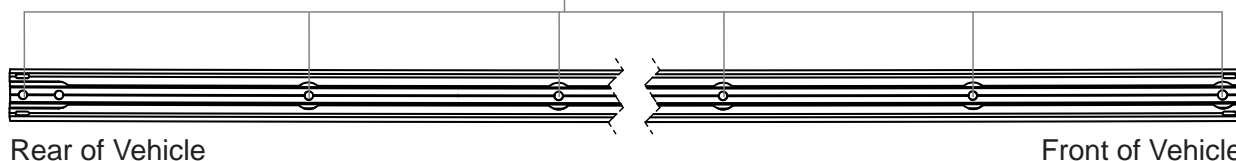
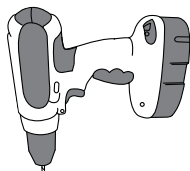
Toyota Hilux		
X	Front	180mm
X	Rear	180mm



3a

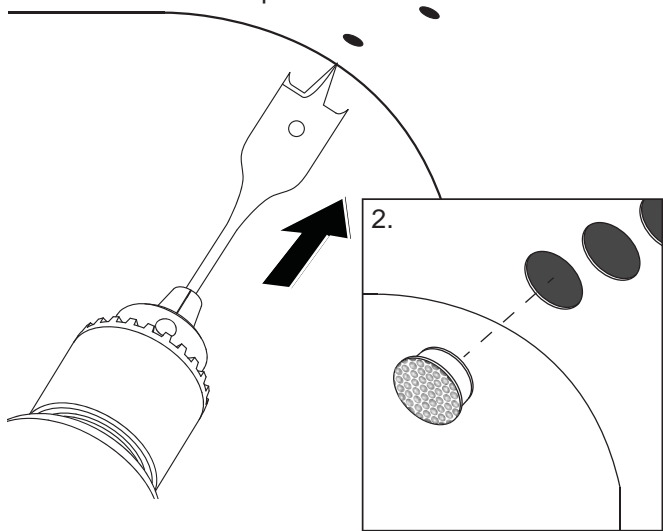


Now place the track onto the canopy. Once in position (pg1), using masking tape, apply 3 strips at the front, middle and the rear of the track as shown. This allows the track to be held in position. Using a sharp $\text{Ø}6.5\text{mm}$ drill bit, hold the drill perpendicular to the surface of the canopy, apply minimal pressure and proceed to drill. Make sure both the inner and outer skins are drilled through. Remove any swarf with a vacuum.



3b

1 - Once the inner and outer skins of the canopy have been drilled, move inside the canopy. With an 17mm Speedbor drill bit, open out the holes previously drilled in the inner skin. 2 - Insert rubber caps provided in kit after nylon washer nut is installed in step 9.



9

Install the track using an M6 T-Bolt and a M6 Nut Captive Nut Mutter. This hardware will fit in between the inner and outer skins as shown.

