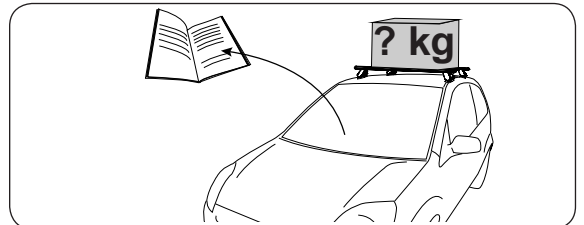
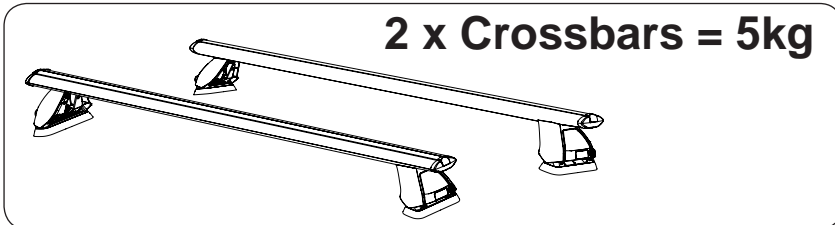
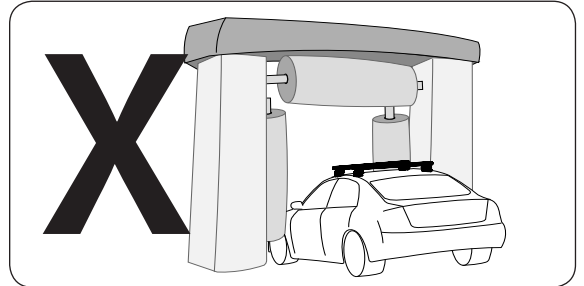
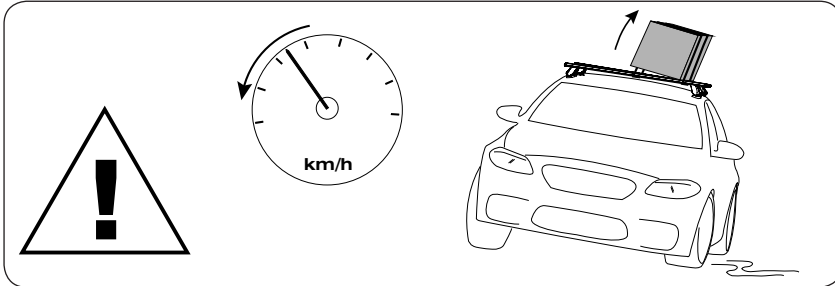
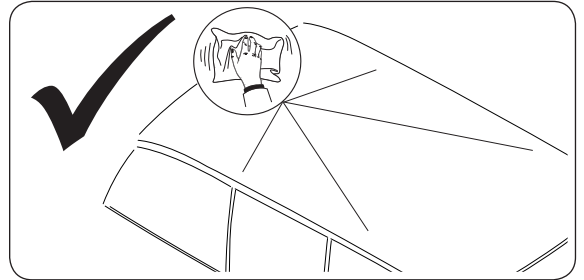
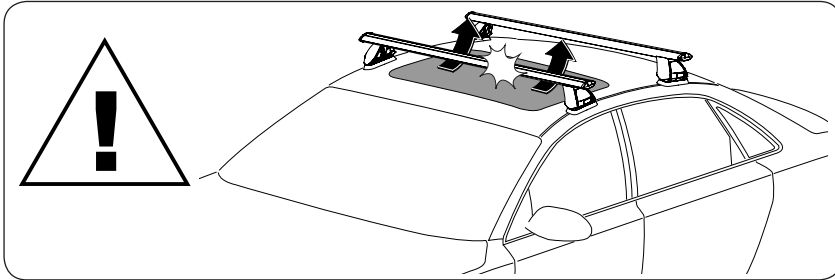
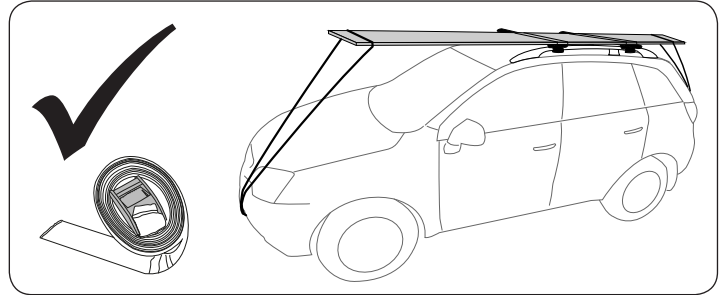
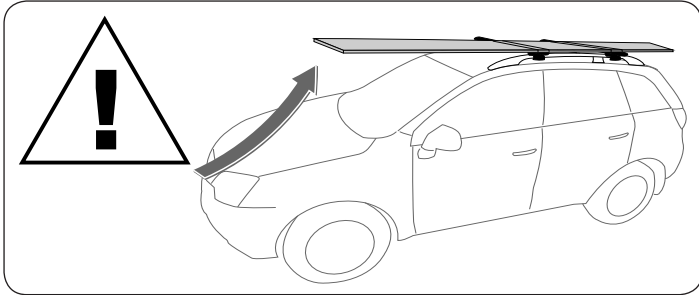




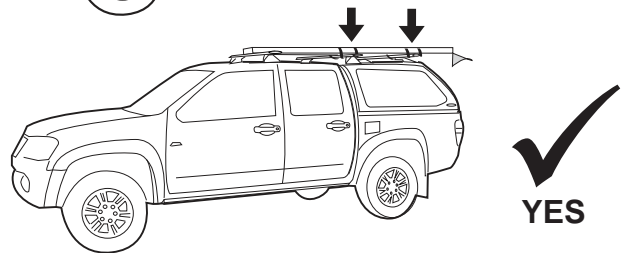
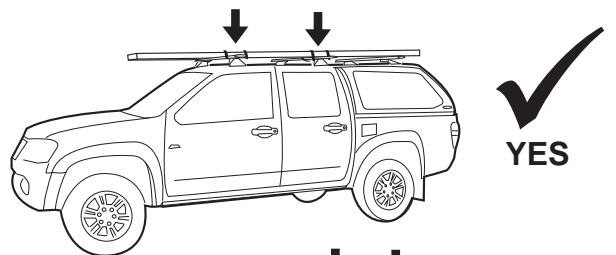
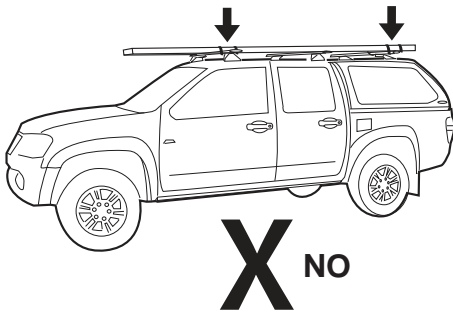
RHINO-RACK

WARNING!



WARNING! Important Load Carrying Instructions

With utility vehicles, the cabin and the canopy move independently. Roof racks and vehicle can be damaged if the item transported is rigidly fixed at points on both the cabin and canopy. Instead, rigidly fix to either the cabin roof racks or the canopy roof racks.



- Please refer to your vehicle manufacturers handbook for maximum roof load capacity.
- Any load transported on Roof Racks must be evenly distributed.
- Instructions are to remain with the vehicle.
- Do not attempt to fit the roof racks to your vehicle unless you fully read and understand the fitting instructions provided.
- Please direct any questions to the dealer from where the roof racks were purchased.

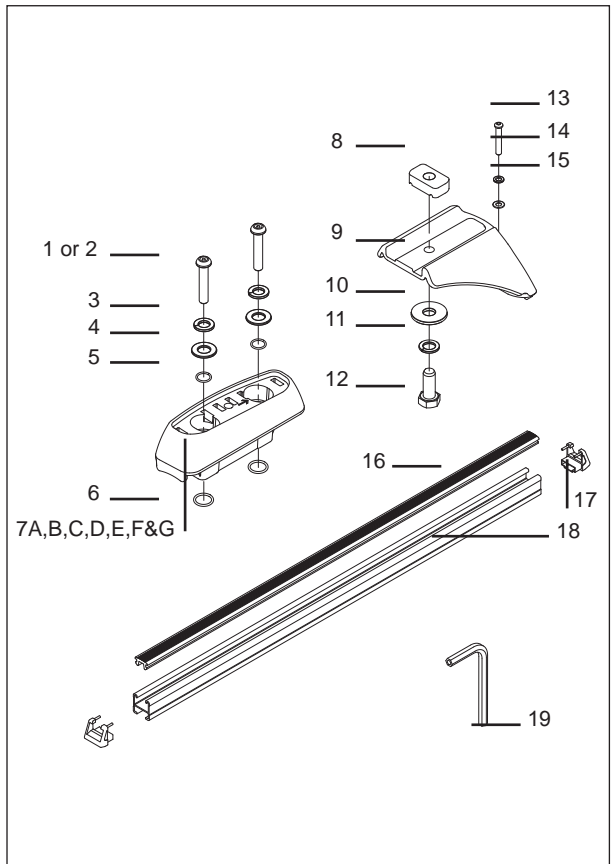


RHINO-RACK

RLCP03 - Toyota LandCruiser Prado, Lexus GX Heavy Duty Crossbar System

Parts List

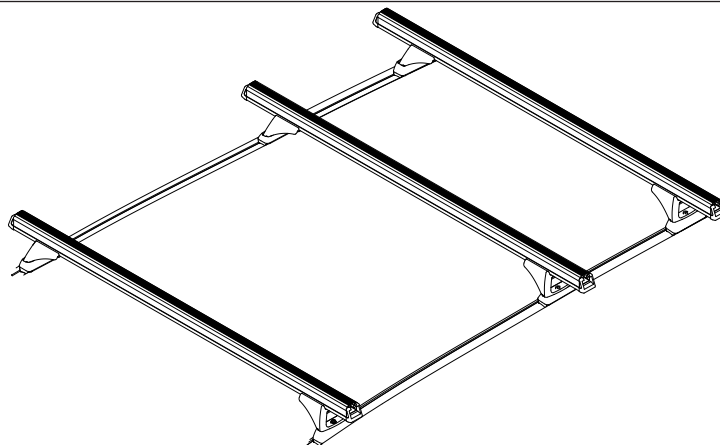
Item	Component Name	Qty.	Part No.
1	M8 x 50mm Socket Button Head Screw	8	B126
2	M8 x 40mm Socket Button Head Screw	4	B127
3	M8 Spring Washer	12	W019
4	5/16 X 3/4 Flat washer	12	W030
5	7mm x 4mm Sm Mounting Pad O-ring	12	C299
6	10mm x 3mm Lge Mounting Pad O-ring	12	C088
7A	Front Left Mounting Pad	1	M111
7B	Front Right Mounting Pad	1	M112
7C	Middle Left Mounting Pad	1	M113
7D	Middle Right Mounting Pad	1	M114
7E	Rear Left Mounting Pad	1	M115
7F	Rear Right Mounting Pad	1	M116
7G	Fin-Loc Brass Nut	6	N014
8	M10 Channel Nut	6	N024
9	Heavy Duty Pad Leg Assembly	6	M123
10	M10 x 12.5mm Flat Washer	6	W022
11	M10 Shake Proof Washer	6	W021
12	M10 x 20mm Hex Bolt	6	B003
13	M6 x 32mm Security Screw	6	B064
14	M6 Spring Washer	6	W004
15	M6 x 12.5mm Flat Washer	6	W003
16	Heavy Duty Rubber Buffer 1250mm	3	R003
17	Heavy Duty Crossbar End Cap	6	M002
18	Heavy Duty Crossbar 1250mm	3	A019
19	5mm Security Allen Key	1	H021
20	Fitting instruction	1	RR95



Tools required.

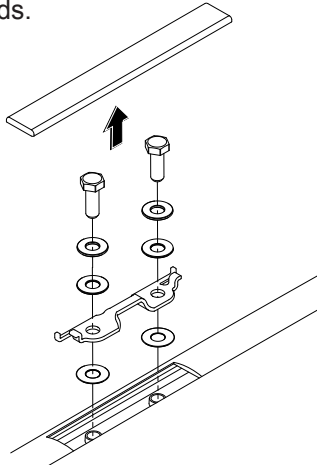
Security type allen key, provided in kit.
5/8" or 16mm spanner.
10mm spanner.

Tape Measure.
Small Flat Blade Screwdriver.
12mm socket wrench



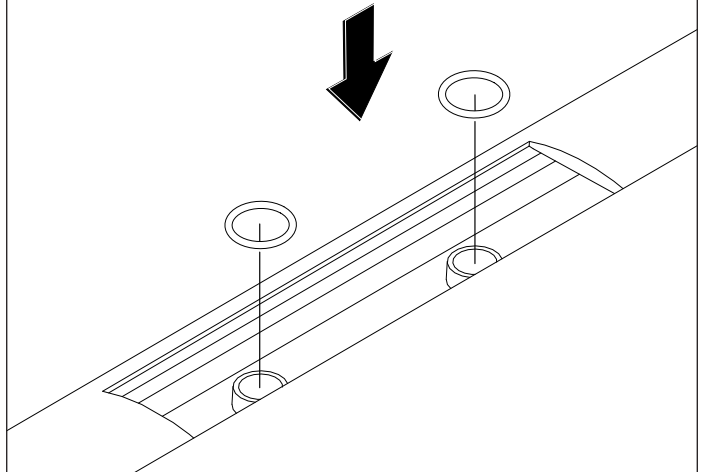
Remove the roof rack attachment point covers with a small flat blade screwdriver, then remove exposed bolts and brackets. Store covers, bolts and brackets in a safe place.
 Note: The existing bolts and washers are not used to fit the mounting pads.

1



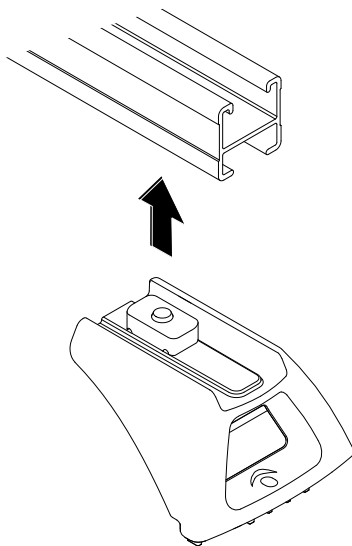
Place the 10mm large o-rings onto the plastic bolt locators in the vehicles roof.

2



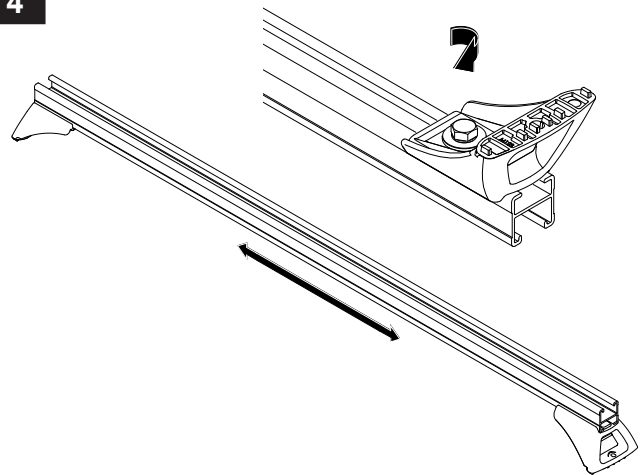
Insert the heavy duty leg assembly into the underside channel of the crossbar.

3



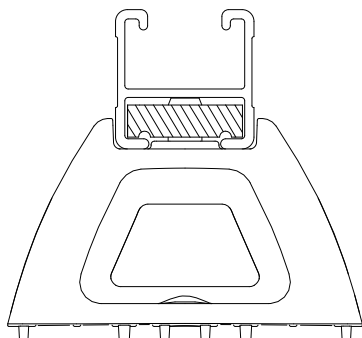
Tighten the leg attachment bolt so that the channel nut turns to locate across the crossbar. Finger tighten the bolt, as the legs will require adjustment later.

4



Check that the channel nut is fully located across the bar.

5

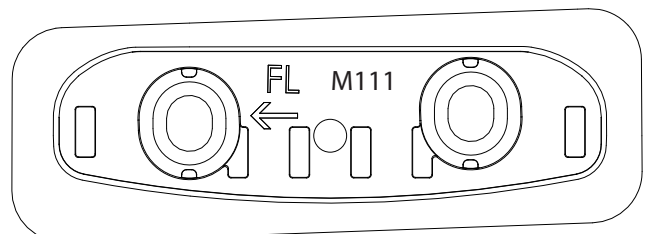


Each mounting pad is identified with a part number, position code and direction arrow. The arrow must point to the front of the vehicle.

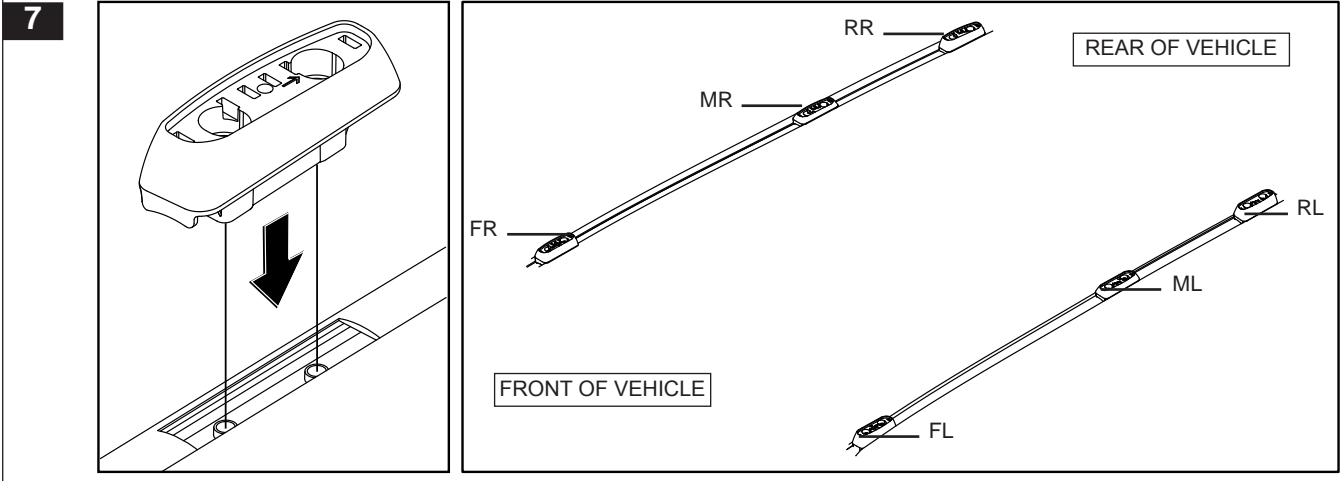
The mounting pad position code is as follows:

6

- FL - Front left side pad
- FR - Front right side pad
- ML - Middle left side pad
- MR - Middle right side pad
- RL - Rear left side pad
- RR - Rear right side pad



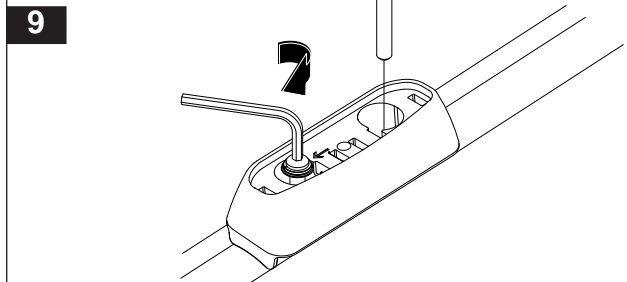
Using the mounting pad layout as a guide, place the pads onto their respective positions. Using the mounting pad layout in figure 1 as a guide, place the pads onto their respective positions. Note: Ensure that the arrows on the pads are facing to the front of the vehicle.



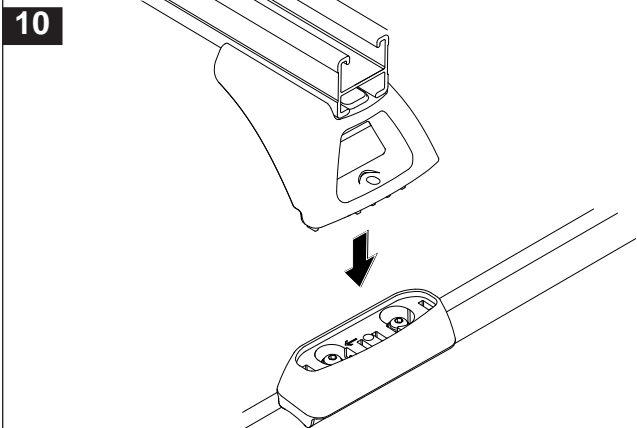
Place the M8 spring washer, M8 flat washer and 7mm small o-ring onto M8 screws. Ensure that the o-ring is fully pushed up against the flat washer. The front and rear mounting pads use M8 x 50mm screws, the middle-mounting pad use M8 x 40mm screws.



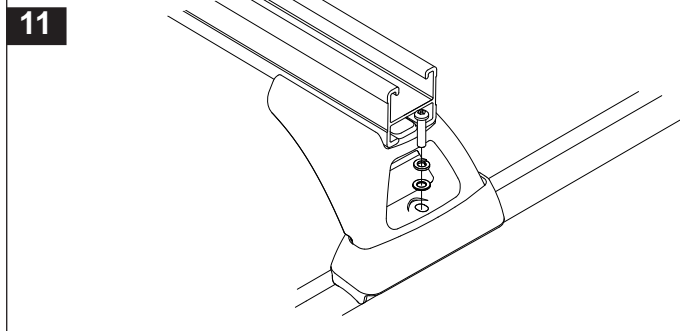
Insert the assembled screws through the mounting pads and screw into the nutserts in the vehicles roof. Tighten all screws using the security allen key provided. Recommended tightening torque 6 Nm. DO NOT OVER TIGHTEN.



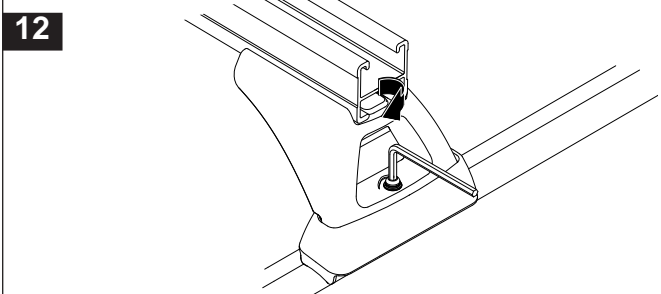
Insert the support legs into the mounting pads.



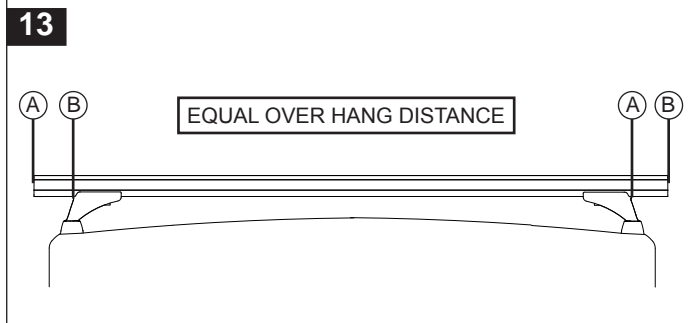
Place the M6 spring washer and M6 flat washer onto the M6 x 32mm security screw. Insert the M6 screw assembly through the support leg and screw into the mounting pad.



Using the security allen key provided tighten support leg attachment screws to secure the crossbars. Recommended tightening torque 3-4 Nm. DO NOT OVER TIGHTEN.

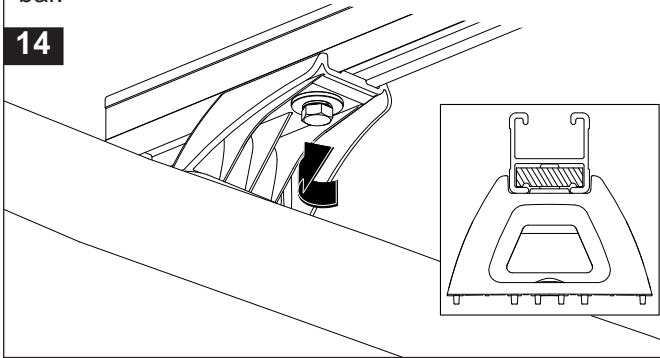


Check the crossbar over hang (A) (B) is equal on both sides, re-adjust if required. Tighten the crossbar attachment bolts. Recommended tightening torque 12-15 Nm.



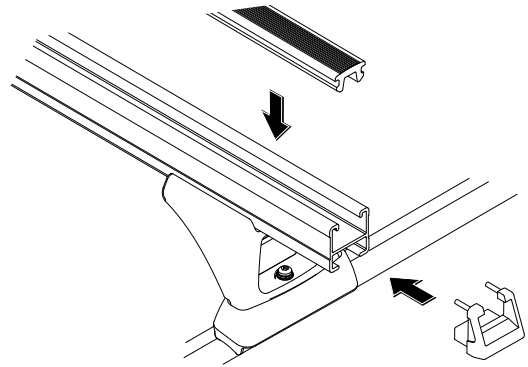
Tighten the crossbar attachment bolts. Recommended tightening torque 12-15 Nm. DO NOT OVER TIGHTEN. Check that the channel nut is located across the crossbar.

14



Insert the crossbar rubber buffer strip into the top of the crossbar. Insert the end caps into the ends of the crossbar, a rubber mallet may be required to fit the end caps.

15



Removing Crossbars

Insert the short end of the allen key into the head of the M6 security screw and remove screw. Remove the crossbars, the mounting pads can remain attached to the vehicle. Do not remove the support legs from the crossbars. Store crossbars and hardware in a safe place. Install M126 cover plates as per separate instruction.

Refitting Crossbars

To refit the crossbar assemblies, place the crossbars onto the mounting pads in their preset positions. Insert the M6 screw assembly as per instruction 11, using the short end of the security allen key, tighten the bolt as recommended in instruction 12.

Important Information

RECOMMENDATIONS

Please refer to your fitting instruction to ensure that the Rhino Heavy Duty roof racks are installed in the correct locations.

The vehicles roof load rating may be less than the Rhino Heavy Duty roof rack load rating.

It is essential that all screw/bolt connections are checked after driving a short distance when you first install your Rhino-Rack. Screw/bolt connections should be checked again at regular intervals (probably once a week is enough, depending on road conditions, usage, loads and distances travelled). You should also check the Roof Racks each time they are refitted.

Roof Racks and accessories should be cleaned and all screw threads should be lubricated at regular intervals. This will help avoid damage to your vehicles paint surface. Always clean the vehicle roof and the mounting brackets before fitting the roof bars.

Rhino-Rack offers a 3 year warranty to the original purchaser of Rhino-Roof Rack Systems and Accessories. Rhino-Rack cannot be held responsible for incorrect mounting of the Roof Racks or for usage that exceeds production tolerances.

Make sure to fasten the load securely. Please ensure that all loads are evenly distributed and that the centre of gravity is kept as low as possible.

USE ONLY NON-STRETCH FASTENING ROPES AND STRAPS

SENSITIVITY TO CROSSWINDS, BEHAVIOUR IN CURVES AND BRAKING

The handling of the car changes when you transport a load on the roof.

For safety reasons, we recommend you exercise extreme care when transporting wind resistant loads.

Special consideration must be taken into account when braking.

PLEASE REMOVE ROOF RACKS WHEN PUTTING VEHICLE THROUGH AUTOMATIC CAR WASH

LOAD RATINGS

Maximum permissible load is 100kg per pair of roof racks (include the weight of the roof bars, 5kg). When Roof Racks are to be used in off-road conditions, please build a safety factor of 1.5 into this load limit (67kg per pair). Although the Roof Racks are tested and approved to AS1235-2000, Australian road conditions can be much more rigorous. Increasing the number of crossbars does not increase the vehicles maximum permissible roof loading.

NOTE FOR DEALERS AND FITTERS

It is your responsibility to ensure instructions are given to the end user or supplier.

Rhino-Rack
3 Pike Street, Rydalmere,
NSW 2116, Australia.
(Ph) (02) 9638 4744
(Fax) (02) 9638 4822

Document No: RR-95
Prepared By: Sheila Oliveira
Authorised By:

Issue No: 03
Issue Date: 22/03/2012

These instructions remain the property of Rhino-Rack Australia Pty Ltd T/as Rhino-Rack and may not be used or changed for any other purpose than intended.