



RHINO-RACK

Aerodynamic & Heavy Duty Roof Rack Systems

SUH - Sportz Ladder Hoop

Place these instructions in the vehicle's glove box after installation is complete.

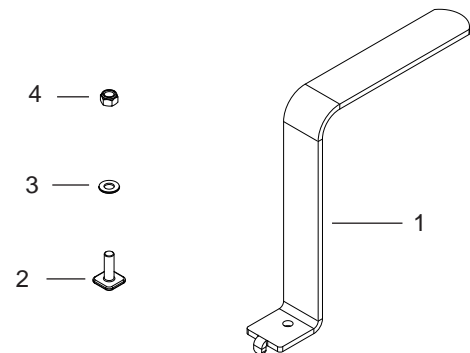
Important: Please read these instructions carefully prior to installation. Please refer to your fitting instruction to ensure that the roof racks are installed in the correct locations. Check the contents of this kit before commencing fitment and report any discrepancies.

Parts List

Item	Component Name	Qty	Part No.
1	Sportz Ladder Hoop Single	2	C682
2	M8 x 25mm Square Head Bolt	2	B084
3	M8 x OD17mm Flat Washer	2	W020
4	M8 Nyloc Nut	2	N028
5	Fitting Instructions	1	RS-362

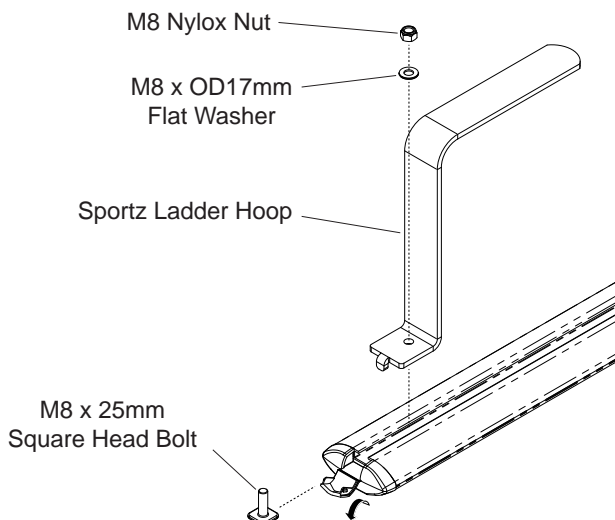
Tools Required

13mm Spanner

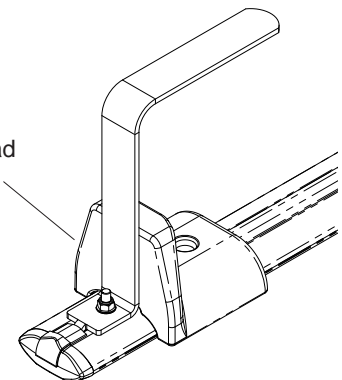


Fitment

Remove the buffer strip from the crossbar. Swing open the end cap cover to expose the C channel or remove the leg (where required). Slide the square head bolt into the C channel of the crossbar and lower the ladder hoop over the bolt. Position to suit the ladder being loaded and fasten in place with the hardware specified. Cut buffer strip to size and re-fit to crossbar.



Easy Guide Pad
available as
separate kit.



Assembled View

Rhino-Rack
3 Pike Street, Rydalmere,
NSW 2116, Australia.
(Ph) (02) 9638 4744
(Fax) (02) 9638 4822

Document No: RS-362
Prepared By: Nigel Greig
Authorised By: Gary England

Issue No: 01
Issue Date: 23/10/2008

These instructions remain the property of Rhino Rack Australia Pty Ltd and may not be used or changed for any other purpose than intended.