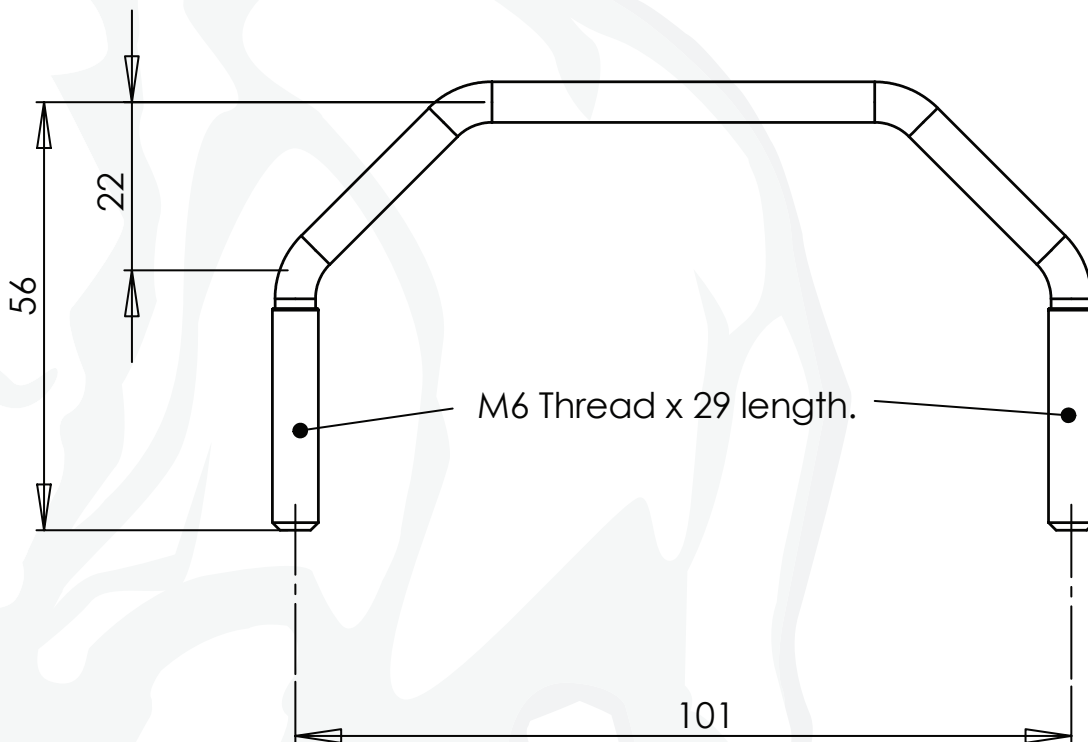




RHINO-RACK

S280 (56mm)

Dimensions in mm



M6 Thread x 29 length.

C005 U Bolt M6 x 102