



# RHINO-RACK

Aerodynamic & Heavy Duty Roof Rack Systems

## RUH Rhino Ladder-Rack Systems - Universal Ladder Hoop

Place these instructions in the vehicle's glove box after installation is complete.

**Important:**

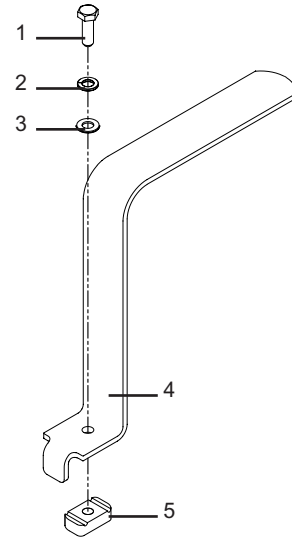
Please read these instructions carefully prior to installation.  
Please refer to your fitting instruction to ensure that the roof racks are installed in the correct locations.  
Check the contents of kit before commencing fitment and report any discrepancies.

### Parts List

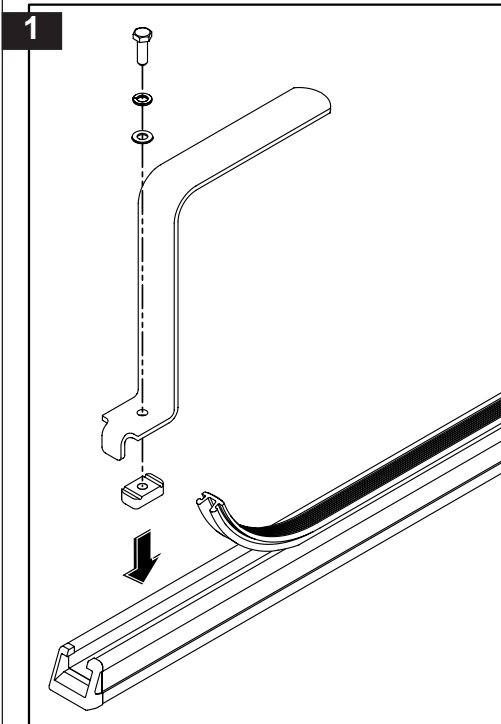
Item	Component Name	Qty.	Part No.
1	M8 x 25mm Hex Bolt	2	B101
4	M8 Spring Washer	2	W019
3	M8 x 17mm Flat Washer	2	W020
2	Crossbar Single Ladder Hoop	2	C034
5	M8 Channel Nut	2	N003
6	Fitting Instruction	1	RR68

### Tools Required

13mm spanner

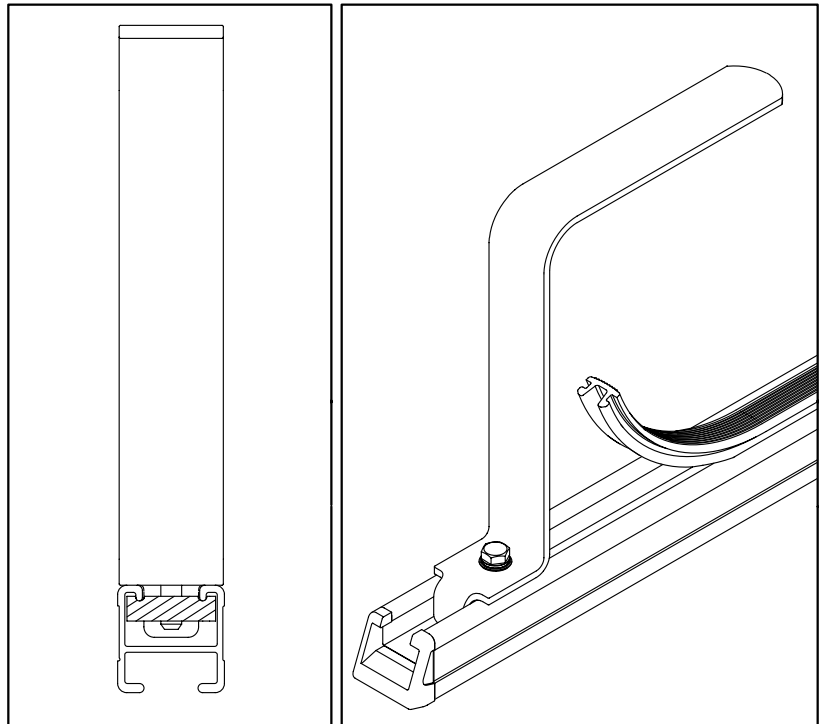


Insert the universal ladder hoop tang into the crossbar recess. Push the attachment bolt down and turn so that the channel nut locates across the crossbar as per diagram 2.



Adjust the ladder hoops to suit the ladder being loaded. Tighten the attachment bolt and check that the channel nut is fully located across the crossbar after tightening. Trim rubber buffer strip to suit.

**2**



Rhino-Rack  
3 Pike Street, Rydalmere,  
NSW 2116, Australia.  
(Ph) (02) 9638 4744 (Fax) (02) 9638 4822

Document No: RR-68  
Prepared By: Sheila Oliveira  
Authorised By: Gary England

Issue No: 02  
Issue Date: 25/11/2003