



# RHINO-RACK

Aerodynamic & Heavy Duty Roof Rack Systems

## RSHB-L Rhino Shovel Holder (with Lock) Heavy Duty/Sportz

Place these instructions in the vehicle's glove box after installation is complete.

**Important:** Please read these instructions carefully prior to installation. Please refer to your fitting instruction to ensure that the roof racks are installed in the correct locations. Check the contents of kit before commencing fitment and report any discrepancies

### Parts List

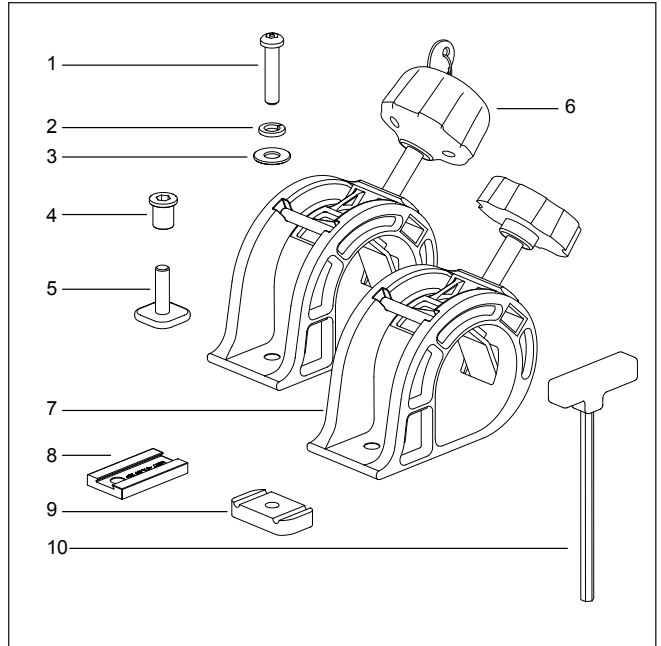
Item	Component Name	Qty	Part No.
1	M6 x 20mm Security Screw	2	B062
2	M6 Spring Washer	2	W004
3	M6 x 16mm Flat Washer	2	W031
4	M6 Tube Nut	2	N041
5	M6 x 16 Sq Head Bolt	2	B014
6	Shovel Holder Body (with Lock)	1	CA1052
7	Shovel Holder Body	1	M216
8	Shovel Holder Support Block H/D Bars	2	M217
9	M6 Channel Nut	2	N002
10	5mm Security Allen Key	1	SECKEY-L
11	Fitting Instruction	1	R

#### Tools Required

Allen key, provided in kit  
Tape Measure, Knife.

#### Care Instruction:

Clean roof racks prior to fitting the Rhino Shovel Holder.

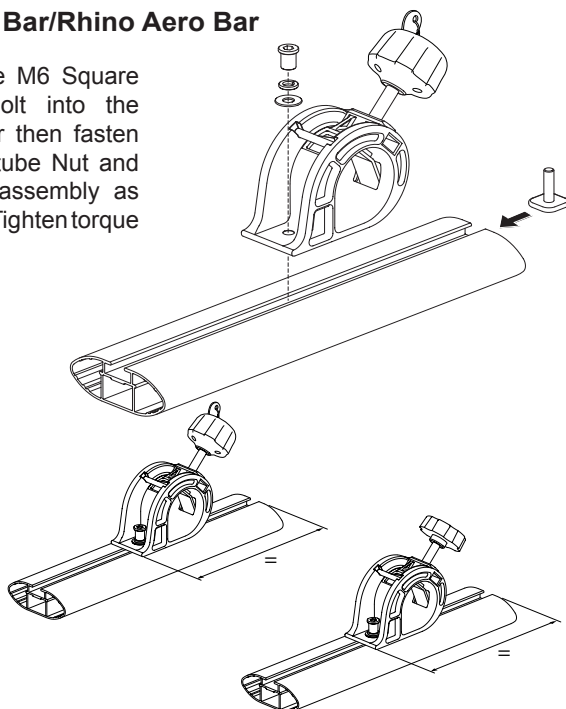


#### NOTE:

The rubber buffer strip will need to be trimmed when placing the Shovel Holder on the Roof Bars.

#### Sportz Bar/Rhino Aero Bar

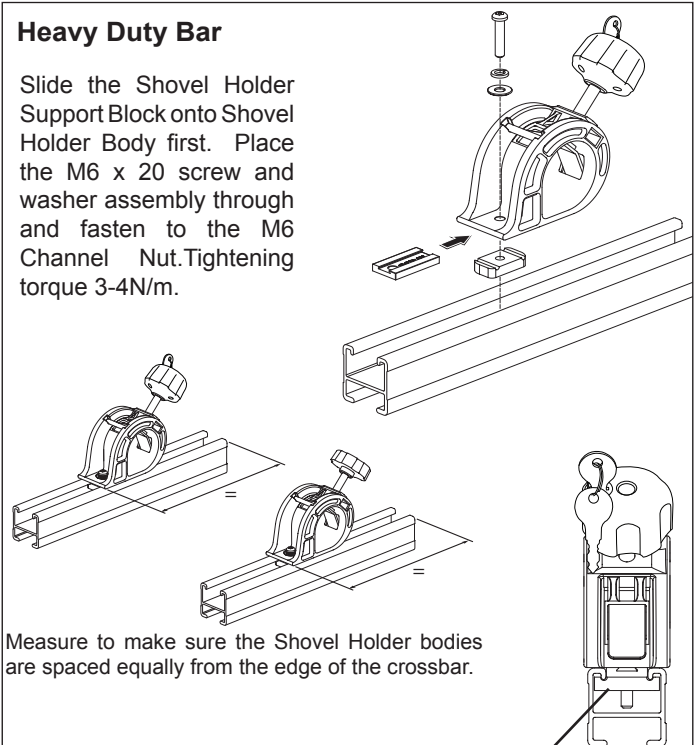
Slide the M6 Square Head Bolt into the Crossbar then fasten the M6 tube Nut and washer assembly as shown. Tighten torque 3-4N/m.



Measure to make sure the Shovel Holder bodies are spaced equally from the edge of the crossbar.

#### Heavy Duty Bar

Slide the Shovel Holder Support Block onto Shovel Holder Body first. Place the M6 x 20 screw and washer assembly through and fasten to the M6 Channel Nut. Tightening torque 3-4N/m.

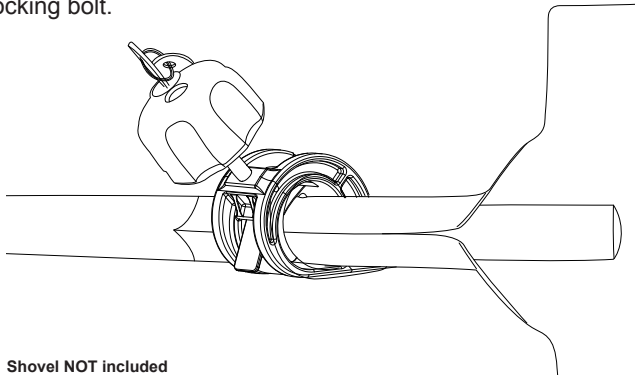


Measure to make sure the Shovel Holder bodies are spaced equally from the edge of the crossbar.

Make sure the M6 Channel Nut is rotated before tightening so it locates across the Heavy Duty Bar.

### Installing a Shovel

Slide the shovel through the shovel holders ensuring that the neck of the shovel is positioned as shown. This is the best position for security of the shovel. Do NOT to overtighten the locking bolt.



Shovel NOT included



**Locks are only a deterrent. Please exercise care when protecting your items from theft.**

## Important Information

### Recommendations

It is essential that all bolt connections be checked after driving a short distance when you first install your Rhino Rack accessory. Bolt connections should be checked again at regular intervals (probably once a week is enough, depending on road conditions, usage, loads and distances travelled). You should also check the roof bars and accessories each time they are refitted.

Make sure to fasten your load securely. Please ensure that all loads are evenly distributed and that the centre of gravity is kept as low as possible.

**Use only non-stretch fastening ropes or straps.**

### Sensitivity to Crosswinds, Behaviour in Curves and Braking

The handling characteristics of the vehicle, changes when you transport a load on the roof. For safety reasons, we recommend you exercise extreme care when transporting wind-resisting loads; special consideration must be taken into account when braking.

**Please remove crossbars when putting vehicle through an automatic car wash.**

### Load Ratings

Refer to vehicle manufactures carrying capacity for roof bars. When roof racks are to be used in off-road conditions, please build a safety factor of 1.5 into this load limit. Although the roof racks are tested and approved to AS1235-2000, Australian road conditions can be much more rigorous. However, increasing the number of crossbars does not increase the vehicles maximum permissible roof loading.

### Note for Dealers and Fitters

It is your responsibility to ensure instructions are given to the end user or client

Rhino-Rack  
3 Pike Street, Rydalmere,  
NSW 2116, Australia.  
(Ph) (02) 9638 4744  
(Fax) (02) 9638 4822

Document No: R131  
Prepared By: Scott Murray  
Authorised By: Chris Murty

Issue No: 01  
Issue Date: 14/09/2011

These instructions remain the property of Rhino-Rack Australia Pty. Ltd. and may not be used or changed for any other purpose than intended.