



RHINO-RACK

Aerodynamic & Heavy Duty Roof Rack Systems

RLS5 Rhino Commercial - Ladder Restrain Strap

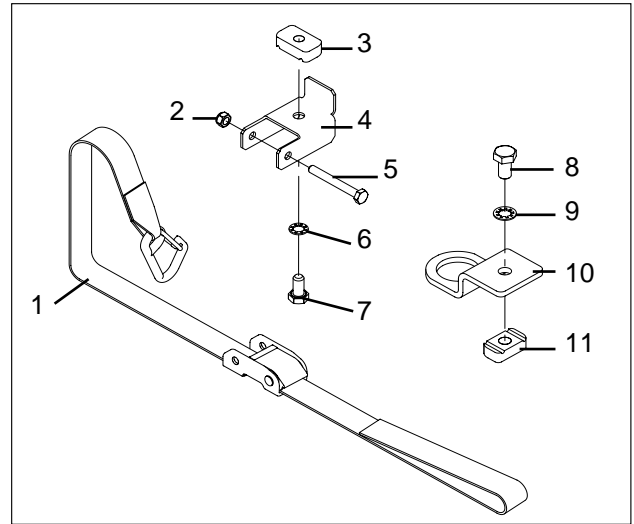
Place these instructions in the vehicle's glove box after installation is complete.

Important: Please read these instructions carefully prior to installation.
Please refer to your fitting instruction to ensure that the roof racks are installed in the correct locations.

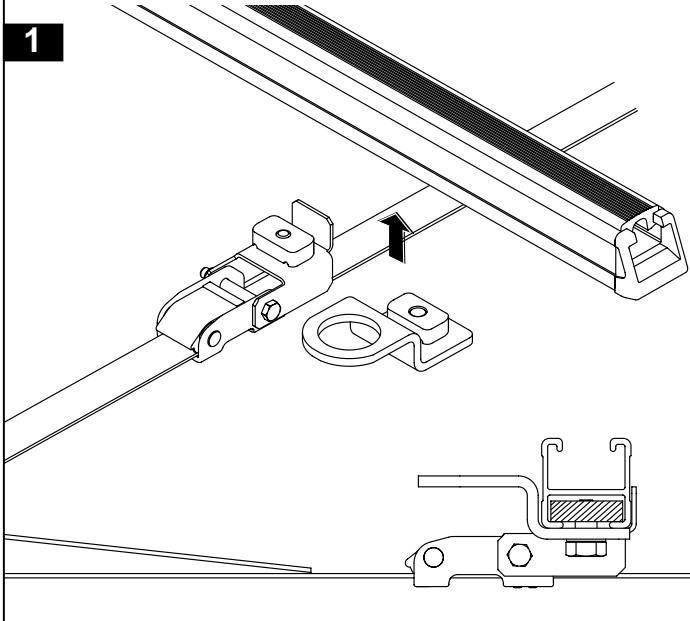
Parts List

Important: Check the contents of kit before commencing fitment and report any discrepancies.

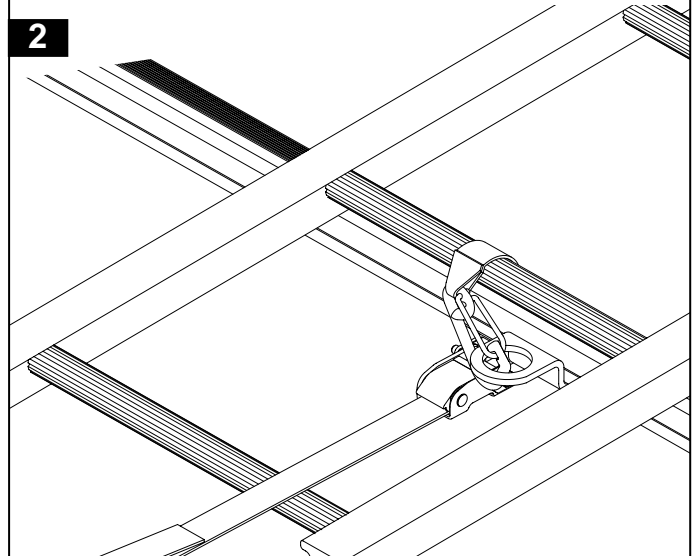
Item	Component Name	Qty.	Part No.
1	Camlock, Strap & Snap Hook	1	C087
2	M6 Nyloc Nut	1	N013
3	M8 Channel Nut	1	N003
4	U-Section Strap Bracket	1	C033
5	M6 x 50mm Hex Bolt	1	B024
6	M8 Shake Proof Washer	1	W033
7	M8 x 16mm Hex Bolt	1	B019
8	M10 x 20mm Hex Bolt	1	B003
9	M10 Shake Proof Washer	1	W021
10	RLS4/5 Snap Hook Bracket	1	C122
11	M10 Channel Nut	1	N024
12	Fitting Instruction	1	RR47



Insert the camlock and hook bracket onto the underside recess of the crossbar. Push the attachment bolt up and turn the bolt so that the channel nut is fully located across the crossbar as per the diagrams. Position the camlock and hook bracket to suit the ladder, tighten the bolts.



Wrap the snap hook end of the strap over the ladder runs. Snap the hook onto the hook bracket ensuring the safety latch is fully closed onto the hook. Pull the strap to tighten around the ladder rung. Check that the ladder is secure. To release the ladder, press the camlock latch and pull the strap back through the camlock, unhook the snap hook, if travelling with out a ladder, locate the snap hook onto the hook bracket.



Rhino-Rack
3 Pike Street, Rydalmere,
NSW 2116, Australia.
(Ph) (02) 9638 4744
(Fax) (02) 9638 4822

Prepared By: Sheila Oliveira
Authorised By: Gary England

Document No: RR-47
Issue No: 02
Issue Date: 27/05/2003

These instructions remain the property of Fetovu Pty Ltd T/as Rhino-Rack and may not be used or changed for any other purpose than intended.