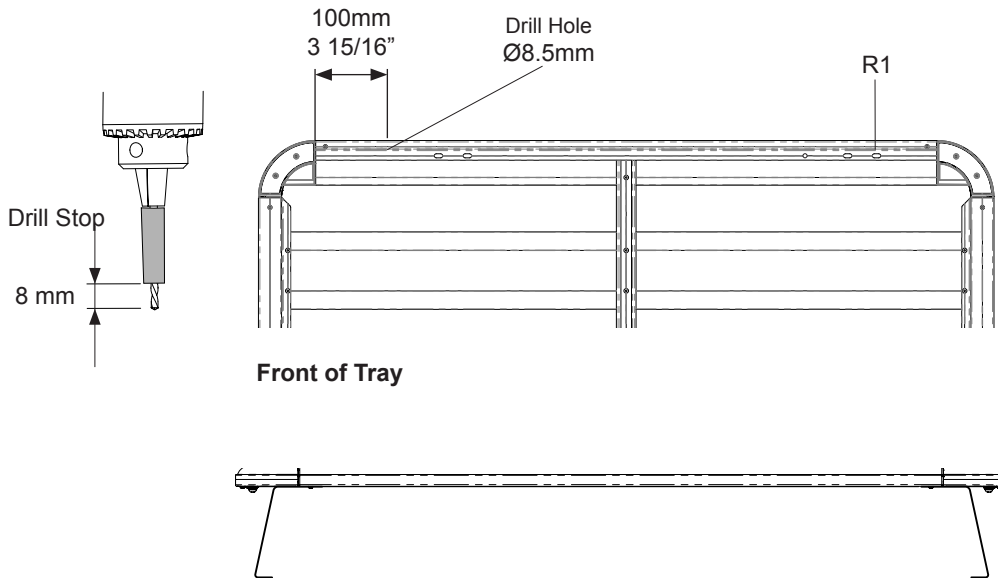




**Fitting Chart - TOYOTA Tacoma 4dr Pick Up Double Cab (with Backbone)**

- PIONEER 41100** (1528 x 1236mm)
- PIONEER 42100B** (1528 x 1236mm)
- PIONEER 45100B** (1528 x 1236mm)



Front Crossbar			Rear Crossbar			Approx. Overall Vehicle Height
Front Slot	Dim. A	Leg Height Spacer	Rear Slot	Dim. A	Leg Height Spacer	
Drill Hole Ø8.5mm	EQUAL	N/A	R1	EQUAL	N/A	

Country	Vehicle	Running Date	Vehicle Load Rating (kg / lbs)	Fit Kit
USA, Canada and South America	TOYOTA Tacoma 4dr Pick Up Double Cab	05 to 15	100 / 220	1 x RTTB1

Rhino-Rack  
 3 Pike Street, Rydalmere,  
 NSW 2116, Australia.  
 (Ph) (02) 9638 4744  
 (Fax) (02) 9638 4822

Document No: R891  
 Prepared By: Will Davis  
 Authorised By: Chris Murty

Issue No: 2  
 Issue Date: 11/11/2015

These instructions remain the property of Rhinorack Australia Pty Ltd and may not be used or changed for any other purpose than intended.