

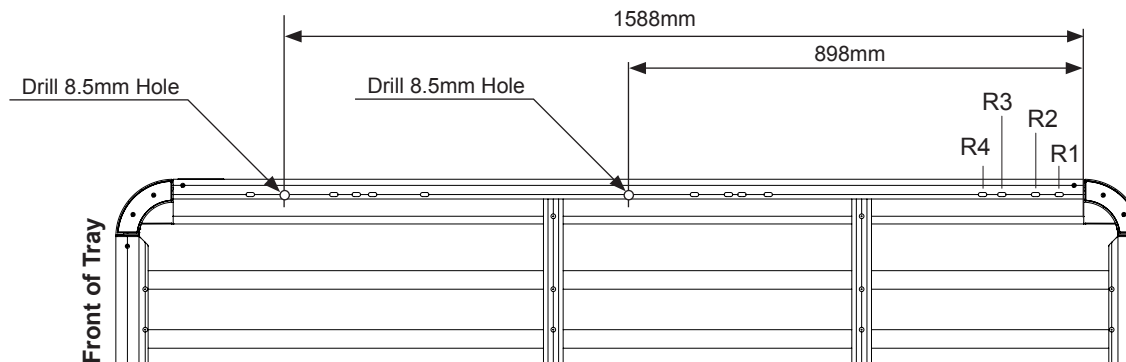
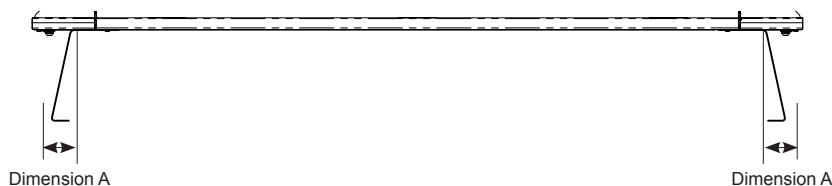


# Pioneer Platform / Pioneer Tray / Pioneer Tradie

**CONTROLLED**

## Fitting Chart - TOYOTA Prado 5dr 4WD 150 Series (with Backbone)

- PIONEER 41107** (2128 x 1236mm) (6' 11 25/32" x 4' 21/32")
- PIONEER 42107B** (2128 x 1236mm) (6' 11 25/32" x 4' 21/32")
- PIONEER 45107B** (2128 x 1236mm) (6' 11 25/32" x 4' 21/32")



Front Crossbar			Middle Crossbar			Rear Crossbar			Approx. Overall Vehicle Height	4th Crossbar Kit Required (43126)
Front Slot	Dim. A	Leg Height Spacer	Middle Slot	Dim. A	Leg Height Spacer	Rear Slot	Dim. A	Leg Height Spacer		
Drill 1588mm from Rear	EQUAL		Drill 898mm from Rear	EQUAL		R4	EQUAL			N/A

Country	Vehicle	Running Date	Vehicle Load Rating (kg / lbs)	Fit Kit	Notes
<b>Australia &amp; NZ</b>	TOYOTA Prado 5dr 4WD 150 Series	11/09 - on	120 / 220	1 x RTPB1	Fit Backbone system to vehicle before fitting Pioneer  Can be fitted to all Vehicle roof variations  Instructions include roof rail removal
<b>Central/ South America</b>	TOYOTA Prado 5dr 4WD 150 Series	10 - on			
<b>South Africa</b>	TOYOTA Prado 5dr 4WD 150 Series	12/09 - on			
<b>UK &amp; Europe</b>	TOYOTA Land Cruiser Prado 5dr 150	12/09 - on			

Rhino-Rack  
3 Pike Street, Rydalmere NSW 2116, Australia. Document No: R788  
(Ph) (02) 8466 1900 (Fax) (02) 9638 4822

Prepared By: Will Davis  
Authorised By: Chris Murty

Issue No: 3  
Issue Date: 14/07/2016

These instructions remain the property of Rhinorack Australia Pty Ltd and may not be used or changed for any other purpose than intended.