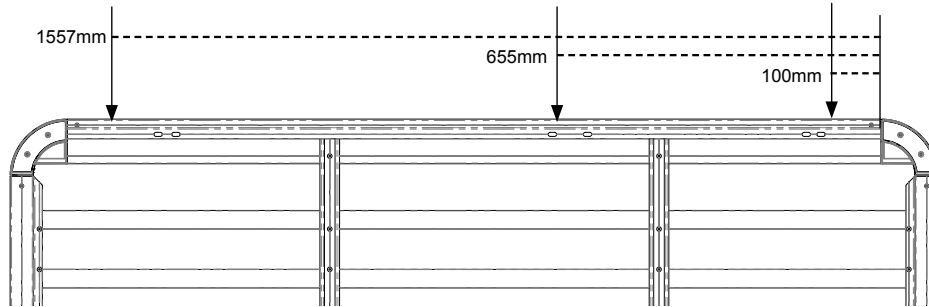




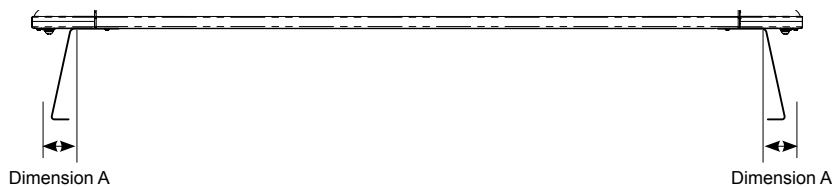
**Fitting Chart - ISUZU MU-X 4dr SUV (with Backbone)**

**PIONEER 41102** (1928 x 1236mm)  
**PIONEER 42102B** (1928 x 1236mm)  
**PIONEER 45102B** (1928 x 1236mm)

**DRILL ø8.5 HOLES IN BELOW LOCATIONS**



**Front of Tray**



Front Crossbar		Middle Crossbar		Rear Crossbar	
Front Slot	Dim. A	Middle Slot	Dim. A	Rear Slot	Dim. A
DRILL ø8.5 HOLE	EQUAL	DRILL ø8.5 HOLE	EQUAL	DRILL ø8.5 HOLE	EQUAL

Country	Vehicle	Running Date	Vehicle Load Rating (kg / lbs)	Fit Kit	Notes
<b>Australia New Zealand</b>	ISUZU MU-X LS-T 4dr SUV (roof rails removed) ISUZU MU-X LS-U/ LS-M 4dr SUV	12/13-	120 / 265	1 x RIMB1	Fit Backbone system to vehicle before fitting Pioneer  Can be fitted to all Vehicle roof variations  Instructions include roof rail removal

Rhino-Rack  
 3 Pike Street, Rydalmere,  
 NSW 2116, Australia.  
 (Ph) (02) 8846 1900  
 (Fax) (02) 9638 4822

Document No: R1725  
 Prepared By: Will Davis  
 Authorised By: Chris Murty

Issue No: 1  
 Issue Date: 2/02/2018

These instructions remain the property of Rhino-Rack Australia Pty Ltd and may not be used or changed for any other purpose than intended.