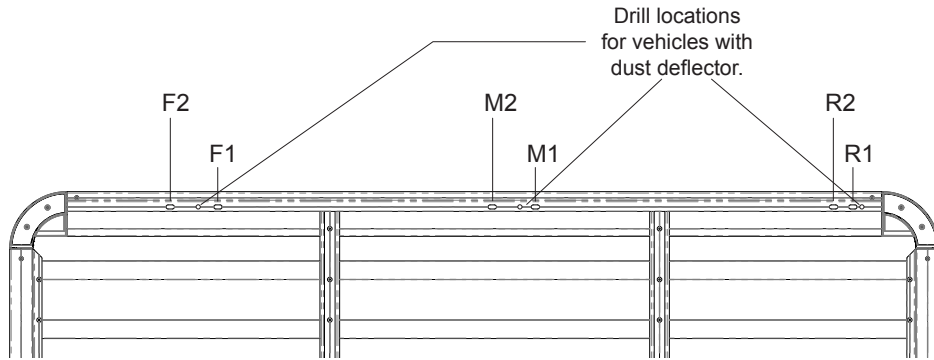


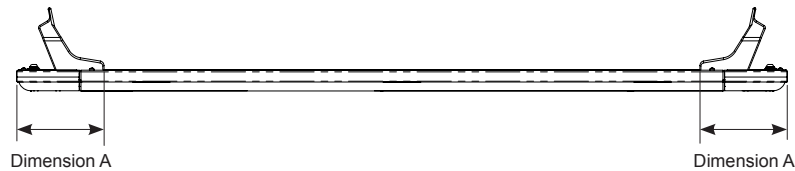


Fitting Chart - TOYOTA Land Cruiser 4dr 4WD 100 Series

- PIONEER 41103** (1928 x 1376mm) (6' 3 29/32" x 4' 6 11/64")
- PIONEER 42103B** (1928 x 1376mm) (6' 3 29/32" x 4' 6 11/64")
- PIONEER 45103B** (1928 x 1376mm) (6' 3 29/32" x 4' 6 11/64")



Front of Tray



Front Crossbar			Middle Crossbar			Rear Crossbar			Approx. Overall Vehicle Height
Front Slot	Dim. A	Leg Height	Middle Slot	Dim. A	Leg Height	Rear Slot	Dim. A	Leg Height	
F2		-	M2		-	R2		-	

Country	Vehicle	Running Date	Vehicle Load Rating (kg / lbs)	Fit Kit	Notes
Australia & NZ	TOYOTA Land Cruiser 4dr 4WD 100 Series	03/98 - 10/07	100 / 220	1 x RCP02-BK 1 x RCH6 3 x QMHD05	Vehicles fitted with a dust deflector on the rear tailgate (that lifts up) requires new crossbar positions. Mark positions 53mm back (towards rear of tray) from the centre of the slot positions detailed above, mark on both sides of the tray. Drill Ø8.5mm holes in these positions and use instead of the specified slots.
USA & Canada	TOYOTA Land Cruiser 4dr SUV 100 Series	1998 - 2007			
UK & Europe	TOYOTA Land Cruiser 4dr 4WD 100 & 105 Amazon	04/98 - 10/07			
South Africa	TOYOTA Land Cruiser 4dr 4WD 100 Series	03/98 - 10/07			

Rhino-Rack
3 Pike Street, Rydalmere,
NSW 2116, Australia.
(Ph) (02) 9638 4744
(Fax) (02) 9638 4822

Document No: R1494
Prepared By: Nigel Greig
Authorised By: Chris Murty

Issue No: 1
Issue Date: 14/09/2017

These instructions remain the property of Rhinorack Australia Pty Ltd and may not be used or changed for any other purpose than intended.