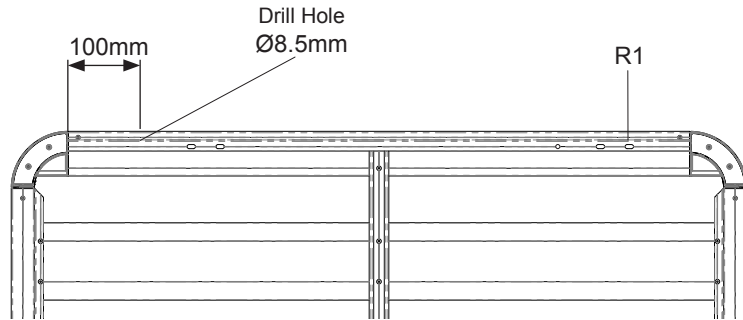


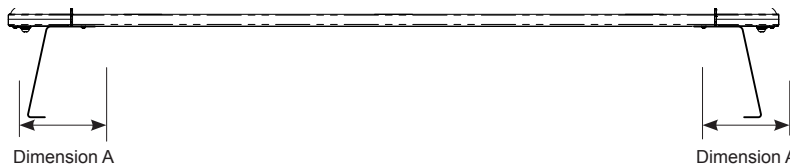


**Fitting Chart - Toyota Hilux 4dr Ute Dual Cab(with Backbone)**

**PIONEER 41100** (1528 x 1236mm)  
**PIONEER 42100B** (1528 x 1236mm)  
**PIONEER 45100B** (1528 x 1236mm)



**Front of Tray**



Front Crossbar			Rear Crossbar			Approx. Overall Vehicle Height
Front Slot	Dim. A	Leg Height Spacer	Rear Slot	Dim. A	Leg Height Spacer	
Drill Hole Ø8.5mm	EQUAL	N/A	R1	EQUAL	N/A	

Country	Vehicle	Running Date	Vehicle Load Rating (kg / lbs)	Fit Kit
<b>Australia &amp; NZ</b>	TOYOTA Hilux 4dr Ute Dual Cab	10/15 - on	100 / 220	1 × RVAB1 1 × RTS543 1 × SUB0687
<b>South Africa</b>	TOYOTA Hilux 4dr Pickup Dual Cab	10/15 - on		
<b>UK &amp; Europe</b>	TOYOTA Vigo Dual Cab	10/15 - on		

Rhino-Rack  
 3 Pike Street, Rydalmere,  
 NSW 2116, Australia.  
 (Ph) (02) 9638 4744  
 (Fax) (02) 9638 4822

Document No: R1184  
 Prepared By: Will Davis  
 Authorised By: Chris Murty

Issue No: 1  
 Issue Date: 7/11/2016

These instructions remain the property of Rhinorack Australia Pty Ltd and may not be used or changed for any other purpose than intended.