



RHINO-RACK

Aerodynamic & Heavy Duty Roof Rack Systems

LS Rhino Ladder-Rack Systems - Ladder Stop

Place these instructions in the vehicle's glove box after installation is complete.

Important:

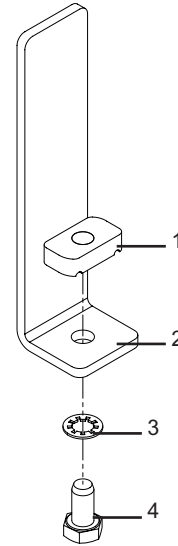
Please read these instructions carefully prior to installation.
Please refer to your fitting instruction to ensure that the roof racks are installed in the correct locations.
Check the contents of kit before commencing fitment and report any discrepancies.

Parts List

Item	Component Name	Qty.	Part No.
1	M10 Channel Nut	1	N024
2	Steel Ladder Stop	1	C040
3	M10 Internal Shakeproof Washer	1	W021
4	M10 x 20mm Hex Bolt	1	B003
5	Fitting Instruction	1	RR77

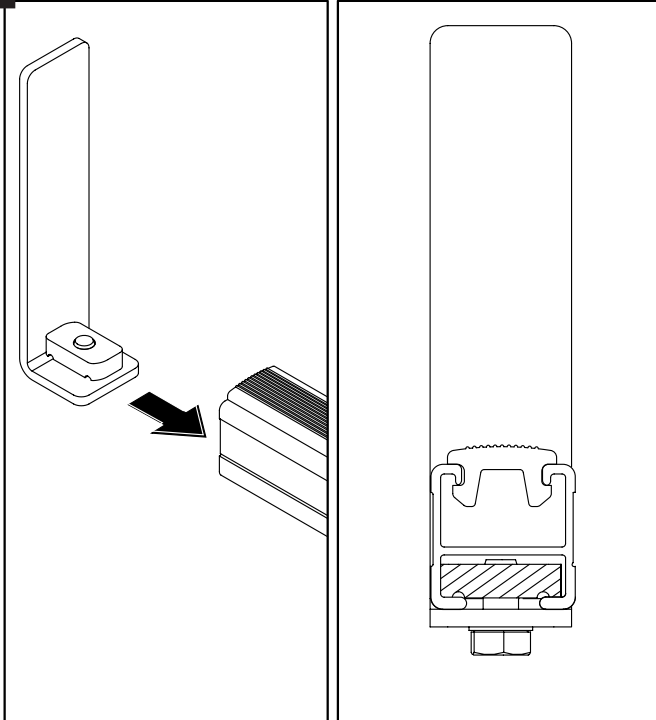
Tools Required

5/8" Spanner



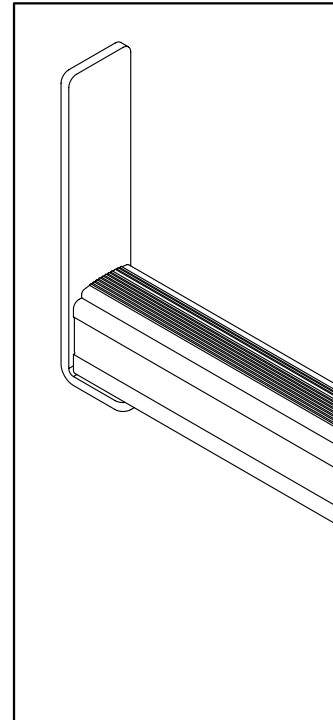
Fully insert the ladder stop into the underside recess of the crossbar, push the attachment bolt up and turn the bolt so that the channel nut is fully located across the crossbar.

1



Tighten the attachment bolt and check that the channel nut is fully located across the crossbar after tightening.

2



Rhino-Rack
3 Pike Street, Rydalmere,
NSW 2116, Australia.
(Ph) (02) 9638 4744 (Fax) (02) 9638 4822

Document No: RR-77
Prepared By: Sheila Oliveira
Authorised By: Gary England

Issue No: 02
Issue Date: 24/11/2003