

RHINO-RACK

CA1175 - Batwing Pole Service Kit

- | | |
|--|--|
| 1. <input type="checkbox"/> Check Part No./Kit is correct | 3. <input type="checkbox"/> Fit roof rack accessory |
| 2. <input type="checkbox"/> Read through instruction before installing | 4. <input type="checkbox"/> Check and recheck all fasteners are secure |

Plastic List

Item	Component Name	Qty	Part
1	Pole End Bracket Nylon	2	CA1186
2	8g x 9mm S/S Pan Phillips	2	B200
3	Fitting Instructions	1	R268

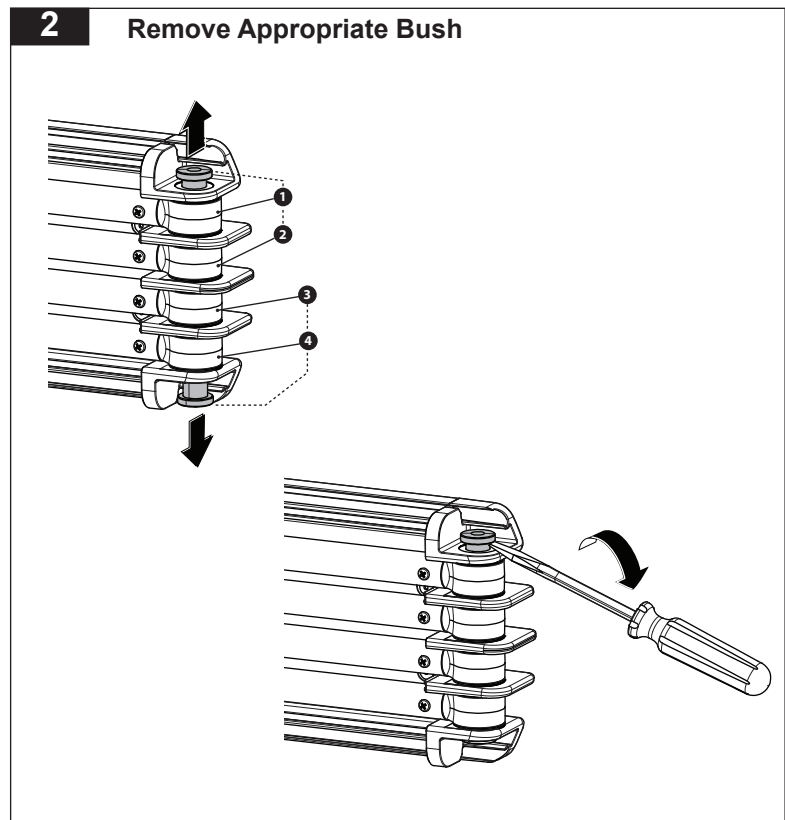
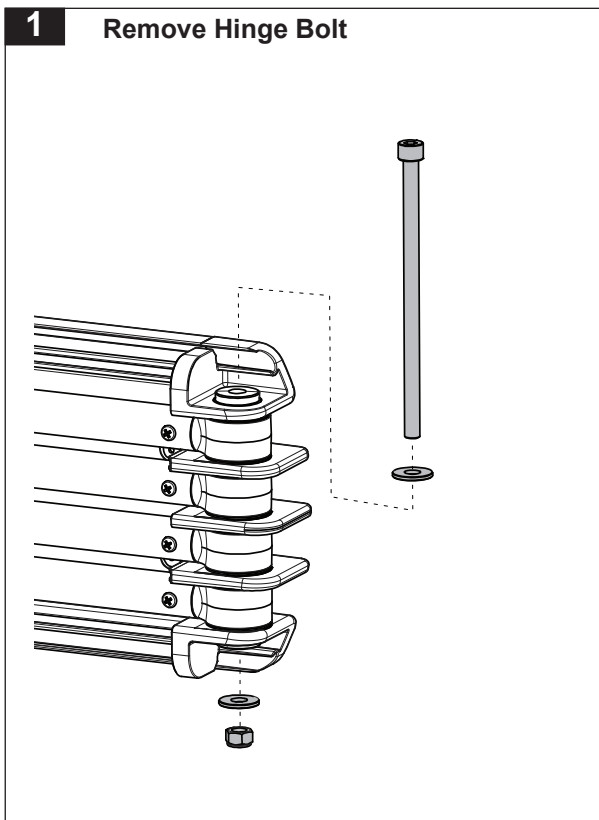
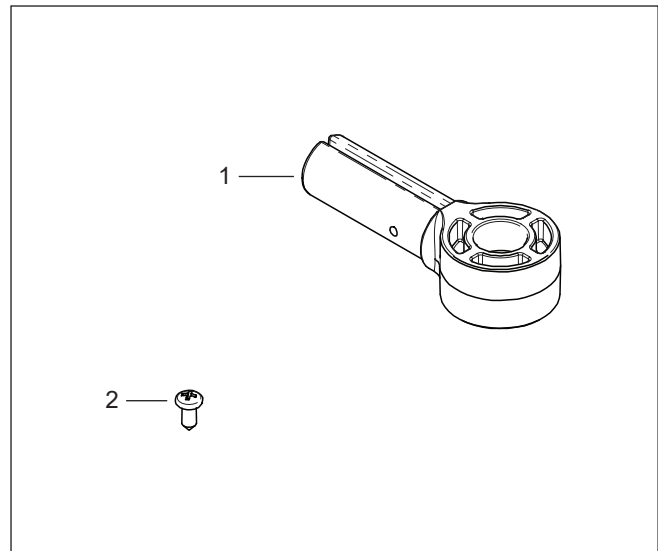
Care Instruction

Take care not to damage fabric when replacing parts.

Tools Required

Rubber Mallet & Hammer, Phillips Screwdriver, Flat Screwdriver, 13mm Spanner, 6mm Allen Key

2.5mm Pin Punch, Drill & 4.5mm Drill Bit (for cast hinge only)



Note for Dealers and Fitters:

It is your responsibility to ensure these fitting instructions are given to the end user or client

Rhino-Rack, 22 Hanson Pl, Eastern Creek
 NSW 2766, Australia
 (02) 8846 1900
 rhinorack.com.au

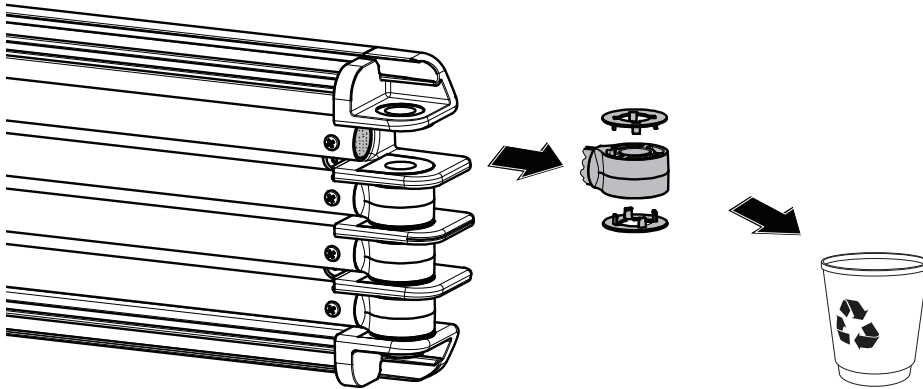
Document No: R268
 Prepared By: K.Everett
 Authorised By: N.Clarke

Issue No: 02
 Issue Date: 19/06/2018

These instructions remain the property of Rhino-Rack Australia Pty. Ltd. and may not be used or changed for any other purpose than intended.

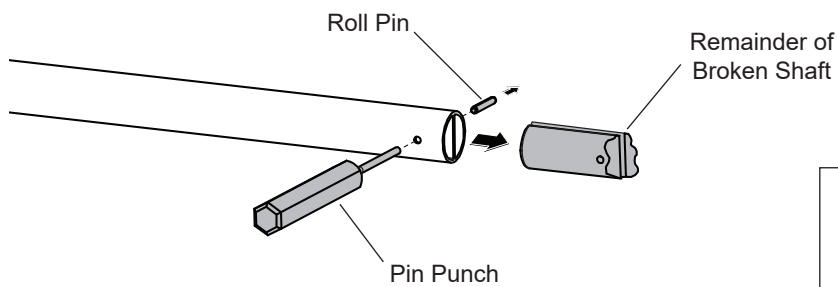
CA1175 - Batwing Pole Service Kit

3 Remove Broken Parts



Cast Aluminium Parts

4a

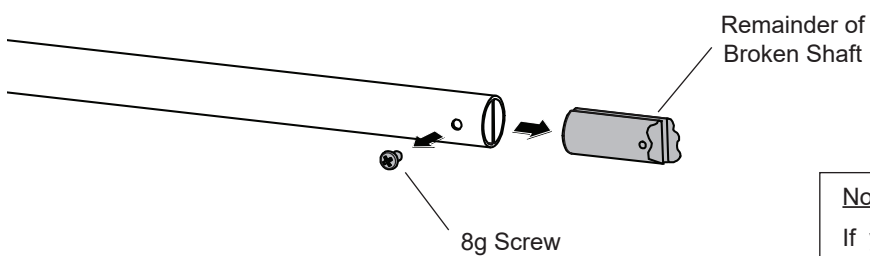


Note:

If you have difficulty removing the broken shaft it can be left within the pole. When inserting the new part in step 5 the broken shaft will get pushed further into the pole.

Plastic Parts

4b

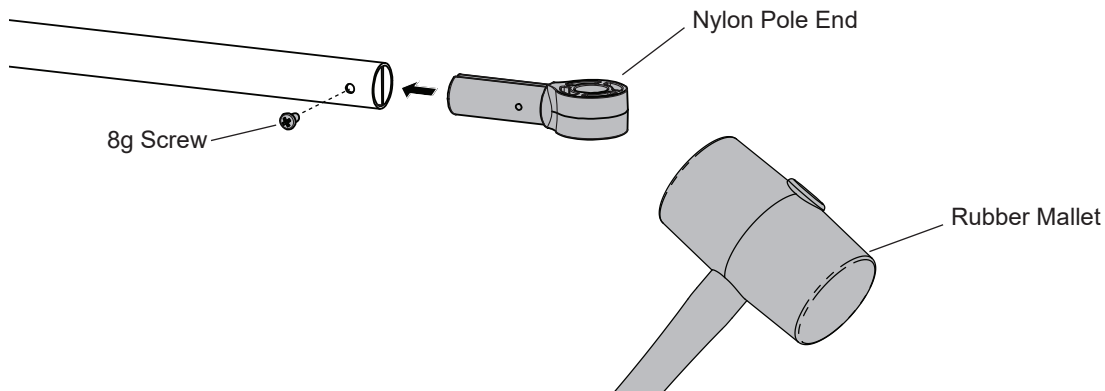


Note:

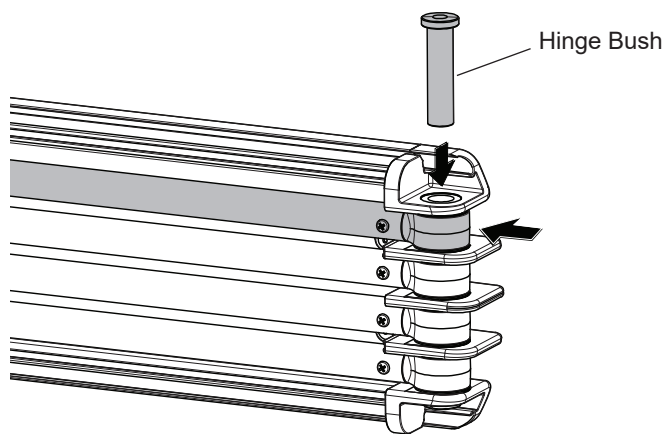
If you have difficulty removing the broken shaft it can be left within the pole. When inserting the new part in step 5 the broken shaft will get pushed further into the pole.

CA1175 - Batwing Pole Service Kit

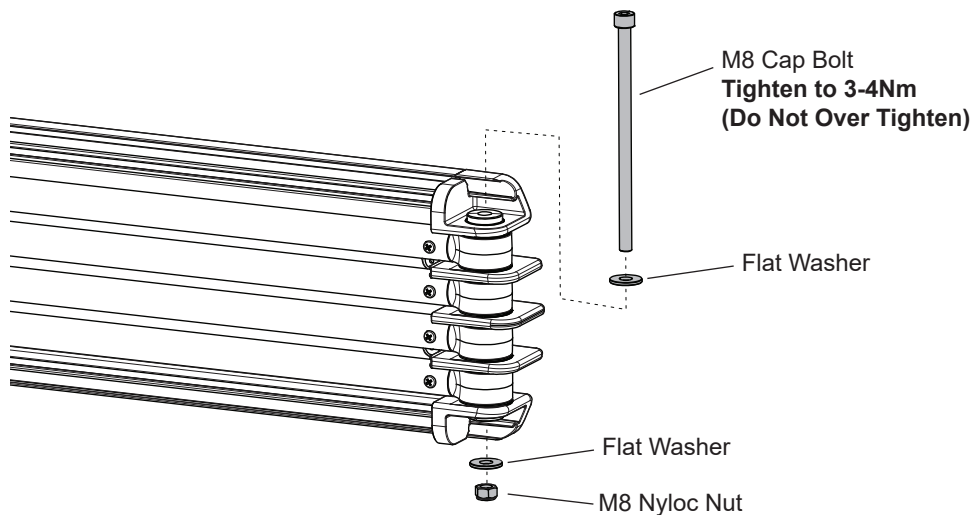
5 Fit New Part to Pole



6 Re-Fit Pole and Bush



7 Re-Fit Hinge Bolt



8 Operate Awning

Operate the awning to check that the hinge performs as it should. If there is too much resistance in the hinge then back of the bolt torque (Step 7) and repeat this step.