

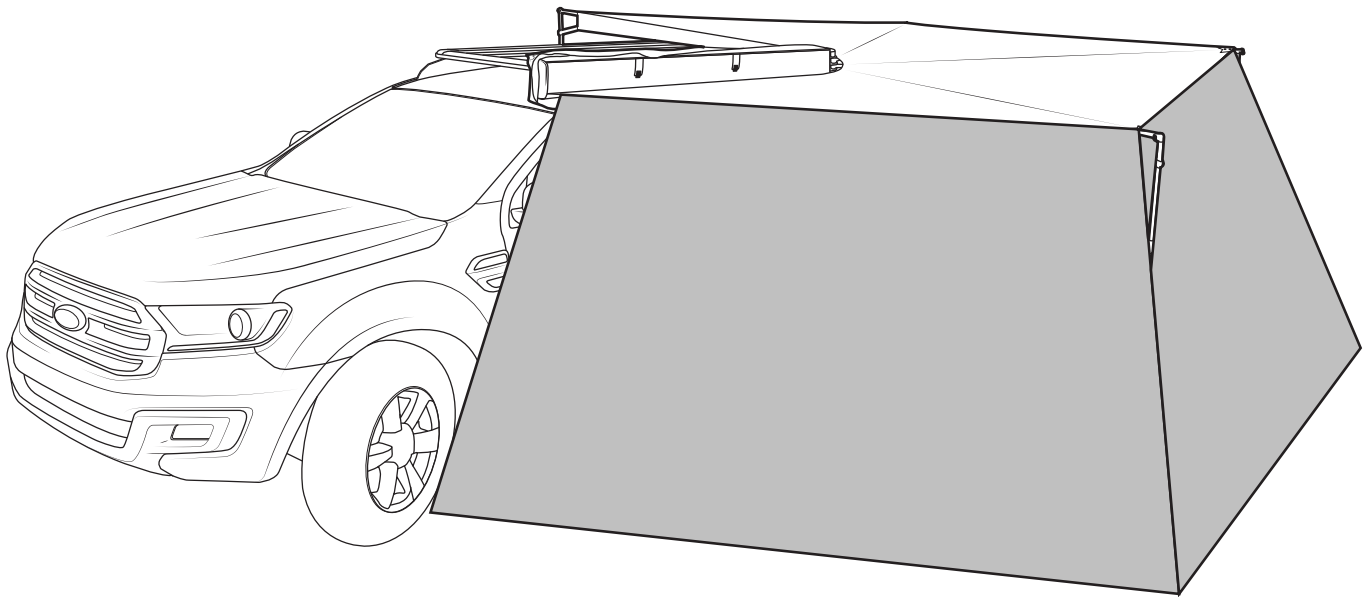


CONTROLLED

RHINO-RACK

31112 Rhino-Rack BATWING Tapered Extension

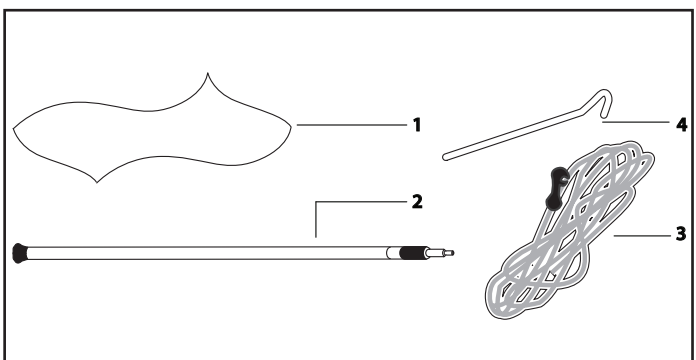
- | | |
|--|--|
| 1. <input type="checkbox"/> Check Part No./Kit is correct | 3. <input type="checkbox"/> Fit roof rack accessory |
| 2. <input type="checkbox"/> Read through instruction before installing | 4. <input type="checkbox"/> Check and recheck all fasteners are secure |



Note : Guy ropes must always be used when the BATWING awning is open
This kit is to be used in conjunction with the Rhino-Rack Batwing Awning

Parts Lists

Item	Component	Qty	Part No.
1	Foxwing Zippered Extension	1	31112
2	Poles	2	SP265
3	Guy Rope	2	C910
4	Metal Peg	3	C909
5	Fitting Instruction	1	R189



Tools Required:

Mallet.

Please remove BATWING Awning and crossbars when putting vehicle through an automatic car wash.

Note for Dealers and Fitters:

It is your responsibility to ensure these fitting instructions are given to the end user or client

Rhino-Rack, 22 Hanson Pl, Eastern Creek
 NSW 2766, Australia
 (02) 8846 1900
 rhinorack.com.au

Document No: R189
 Prepared By: K.Everett
 Authorised By: N.Clarke

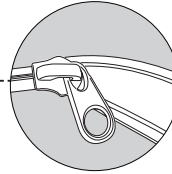
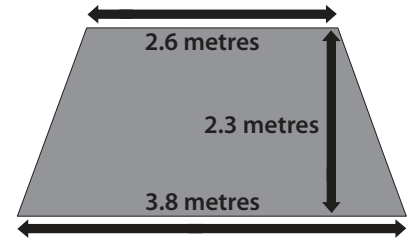
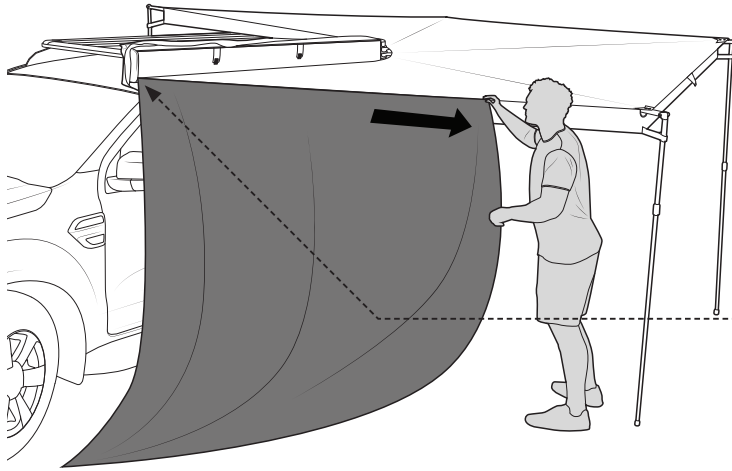
Issue No: 05
 Issue Date: 12/03/2019

These instructions remain the property of Rhino-Rack Australia Pty. Ltd. and may not be used or changed for any other purpose than intended.

31112 Rhino-Rack BATWING Tapered Extension

Fitting Instructions

1



2

The extension can be attached to any of the four sides of the awning. 2 or more extensions can be zipped together to create a wind shield.

